



**victron energie**

**USER MANUAL  
GEBRUIKSAANWIJZING  
GEBRAUCHSANWEISUNG**

Victron Atlas 12/1600  
Victron Atlas 24/850  
Victron Atlas 24/1600  
Victron Atlas 48/850  
Victron Atlas 48/1600





# SECTIONS

---

English  
Nederlands  
Deutsch





**victron energie**

## USER MANUAL

Victron Atlas 12/1600  
Victron Atlas 24/850  
Victron Atlas 24/1600  
Victron Atlas 48/850  
Victron Atlas 48/1600





# INTRODUCTION

---

Victron Energie has established an international reputation as a leading designer and manufacturer of power systems. Our R&D department is the driving force behind this reputation. It is continually seeking new ways of incorporating the latest technology in our products. Each step forward results in value-adding technical and economical features.

Our proven philosophy has resulted in a full range of state-of-the-art equipment for the supply of electricity. All our equipment meets the most stringent requirements and delivers optimum performance.

Victron Energie systems provide you with high-quality AC supplies at places where there are no permanent power sources of 230 V.

An automatic stand-alone power system can be created with a configuration comprising a Victron Energie inverter, battery charger, mains manager (if required) and, last but not least, batteries with sufficient capacity.

Our equipment is suitable for countless situations in the field, on ships or other places where a mobile 230-Volt AC power supply is indispensable.

Victron Energie has the ideal power source for all kinds of electrical appliances used for household, technical and administrative purposes, including instruments susceptible to interference. All of these applications require a high-quality power supply in order to function properly.

## **The Atlas 12/1600, 24/850, 25/1600, 48/850 and 48/1600 inverters**

This manual contains directions for installing the Victron Atlas inverters. It describes their functionality and operation, including protective devices and other technical features.







# CONTENTS

---

<b>1.</b>	<b>DESCRIPTION</b>	<b>11</b>
	1.1 General	11
	1.2 Atlas inverter	11
<b>2.</b>	<b>PROTECTIVE DEVICES</b>	<b>13</b>
	2.1 Short-circuits	13
	2.2 Maximum power	13
	2.3 Temperature	14
	2.3.1 Temperature protection of Atlas 12/1600	14
	2.4 Overload	14
	2.5 Low input voltage	15
	2.6 High input voltage	15
	2.7 Connection of "+" and "-" terminals	16
<b>3.</b>	<b>INSTALLATION</b>	<b>17</b>
	3.1 Materials	17
	3.2 Location	17
	3.3 Connections	17
	3.3.1 Earth	17
	3.3.2 230-Volt AC output	18
	3.3.3 Battery	18
	3.3.4 Protection of battery cables	19
	3.3.5 Battery cables	19
	3.3.6 Procedure	19
<b>4.</b>	<b>START-UP</b>	<b>21</b>
	4.1 Operation	21
	4.2 Switching on the inverter	21
	4.2.1 "Stand-by" mode	21
	4.3 High temperature	21
	4.4 Overload	22
	4.5 Low/high battery voltage	22
	4.6 Remote control	22
	4.7 Maintenance	22
<b>5.</b>	<b>ADJUSTMENTS</b>	<b>23</b>
	5.1 Output voltage	23
	5.2 Potentiometer	24



<b>6.</b>	<b>FAULT TRACING LIST</b>	<b>25</b>
6.1	General	25
6.2	The inverter fails to start	25
6.3	The AC output voltage is too low	26
<b>7.</b>	<b>SPECIFICATIONS</b>	<b>27</b>
7.1	Input	27
7.2	Output	28
7.3	Mechanical data	30
<b>8.</b>	<b>DRAWINGS</b>	<b>31</b>
	Complete victron energie system	32
	Victron Atlas dimensions	33

# 1. DESCRIPTION

---

## 1.1 GENERAL

All Victron Atlas inverters are tested for proper functioning before leaving the factory. They are wrapped in shock-absorbing styrene foam and packed in sturdy cardboard boxes for secure transportation.

IP21 =  
protection against  
larger than 12  
mm (e.g. a finger)  
and protection  
against vertically  
descending  
waterdrops  
(condensation)

The Victron Atlas models are housed in robust aluminium cabinets (IP21) suitable for floor or wall mounting. The AC terminals of the external equipment, the DC terminals of the batteries and the terminals of a remote control panel must be connected to the underside of the inverter PCB.

## 1.2 ATLAS INVERTER

The name "ATLAS" designates an inverter. The coding of the Atlas models is composed as follows:

example: Atlas 24/850:  
"24": 24 V, refers to the battery voltage  
"850": 850 W, refers to a continuous  
output power of 850 Watts.

Victron Energie has made improvements to the Atlas converters since the last versions. The no-load current has been reduced while efficiency and power have been increased. These enhancements have been achieved through the use of ring core transformers and have reduced the weight of the inverter.

The Atlas inverter converts a direct current of 12, 24 or 48 V into an alternating current of 230 V<sub>rms</sub> ( 5%), 50 Hz.

A full-load efficiency of approx. 92% has been achieved through the use of high-frequency switching techniques and FET electronics. With the inverter in "auto" mode, its own power consumption (no-load consumption) is as stated below.

	no-load consumption ("auto" mode)
<b>Atlas 12/1600</b>	5 W
<b>Atlas 24/850</b>	2.5 W
<b>Atlas 24/1600</b>	3.5 W
<b>Atlas 48/850</b>	4.5 W
<b>Atlas 48/1600</b>	4.5 W

Almost any electric or electronic device may be connected to the Atlas inverter.

The Atlas inverters are extremely reliable thanks to numerous built-in protective devices. Descriptions of these devices are given below.

**Watt =**  
unit of power

**Volt =**  
unit of voltage

**Voltrms =**  
root mean square  
(effective value of  
alternating wave)

**Hertz =**  
a unit of  
frequency

## 2. PROTECTIVE DEVICES

---

### 2.1 SHORT-CIRCUITS

The inverter's output is protected against short-circuiting. The short-circuit currents of the different models are stated in the table below.

	<b>short-circuit current</b>
<b>Atlas 12/1600</b>	11 amp
<b>Atlas 24/850</b>	6.5 amp
<b>Atlas 24/1600</b>	13 amp
<b>Atlas 48/850</b>	6.5 amp
<b>Atlas 48/1600</b>	13 amp

In this condition the output voltage approaches 0 V. Once the short-circuit has been rectified the inverter immediately resumes normal operation. This eliminates the need to fit a fuse in the inverter's output circuit.

### 2.2 MAXIMUM POWER

The inverter delivers a maximum power as stated in the table below.

	<b>maximum power</b>
<b>Atlas 12/1600</b>	2500 W
<b>Atlas 24/850</b>	1500 W
<b>Atlas 24/1600</b>	3000 W
<b>Atlas 48/850</b>	1500 W
<b>Atlas 48/1600</b>	3000 W

This level is limited electronically and can be delivered for approximately one to twenty seconds (depending on the load).

## 2.3 TEMPERATURE

The temperature of the electronics is measured continuously. The inverter switches off before the temperature reaches an unacceptably high level due to short-circuiting, overloading or excessive ambient temperatures. The red "temperature" LED lights up when this situation occurs. The inverter restarts automatically once the temperature has dropped to an acceptable level.

### 2.3.1 Temperature protection of Atlas

The Victron Atlas inverter has extra temperature protection in addition to the standard protective device. The expansion consists of a multi-functional ventilator control.

The electronics in the cabinet are measured continuously to ensure that the ventilator functions whenever necessary. The ventilator will switch on (or remain in operation) if:

- the temperature of the electronics or conductors has risen to an unacceptably high level or if a load greater than 1000 W is connected to the Atlas ;
- the load has dropped below 1000 W and the temperature has risen;
- the inverter switches off because of an overload or an unacceptably high temperature. The inverter will cool down more quickly with the help of the ventilator.

This multi-functional ventilator control helps to accelerate the cooling of the electronics (including the FETs), connections and wiring.

## 2.4 OVERLOAD

Overload protection is activated whenever an unacceptably high load is connected to the inverter.

	<b>overload</b>
<b>Atlas 12/1600</b>	1800 W
<b>Atlas 24/850</b>	1000 W
<b>Atlas 24/1600</b>	2000 W
<b>Atlas 48/850</b>	1000 W
<b>Atlas 48/1600</b>	2000 W

This takes place in the following way:

- ❑ The red "overload" LED flashes if there is an overload.
- ❑ The inverter switches off after a few seconds; the red "overload" LED stops flashing and lights continuously. If the load drops below the critical limit, the inverter restarts after 30 seconds and full power can be delivered again.
- ❑ If the load returns within a few seconds to a level below the critical limit, the inverter resumes normal operation and the "overload" LED goes out.

## 2.5 LOW INPUT VOLTAGE

The inverter switches off if the input voltage is too low and it restarts once the input voltage has risen again to an acceptable level.

	switch-off on low input voltage	switch-on after low input voltage
<b>Atlas 12/1600</b>	$\pm 10 V_{DC}$	$\pm 11 V_{DC}$
<b>Atlas 24/850</b>	$\pm 19 V_{DC}$	$\pm 21 V_{DC}$
<b>Atlas 24/1600</b>	$\pm 19 V_{DC}$	$\pm 21 V_{DC}$
<b>Atlas 48/850</b>	$\pm 37 V_{DC}$	$\pm 40 V_{DC}$
<b>Atlas 48/1600</b>	$\pm 37 V_{DC}$	$\pm 40 V_{DC}$

## 2.6 HIGH INPUT VOLTAGE

The inverter switches off if the input voltage is too high and it restarts once the input voltage has dropped again to an acceptable level.

	switch-off on high input voltage	switch-on after high input voltage
<b>Atlas 12/1600</b>	approx. $17.25 V_{DC}$	approx. $16.25 V_{DC}$
<b>Atlas 24/850</b>	approx. $33.5 V_{DC}$	approx. $32 V_{DC}$
<b>Atlas 24/1600</b>	approx. $33.5 V_{DC}$	approx. $32 V_{DC}$
<b>Atlas 48/850</b>	approx. $67.5 V_{DC}$	approx. $66 V_{DC}$
<b>Atlas 48/1600</b>	approx. $67.5 V_{DC}$	approx. $66 V_{DC}$

## 2.7 CONNECTION OF "+" AND "-" TERMINALS

---

The Atlas 12/1600, 24/850, 24/1600, 48/850 and 48/1600 are NOT protected against reversed polarity (i.e. "+" connected to "-" and "-" connected to "+"). Therefore you should follow the connection instructions given in section 3.3 very carefully. Defects caused by reversed polarity are not covered by the guarantee.

---



## 3. INSTALLATION

---

### 3.1 MATERIALS

A screwdriver (No. 1) is needed in order to connect equipment to the 230 V output. The connecting points are located to the left on the front of the inverter PCB.

### 3.2 LOCATION

Install the inverter in a dry area with good ventilation.

**NOTE: High ambient temperatures will reduce output power, impair efficiency and shorten working life (see specifications).**

There are holes in the bottom and rear of the cabinet for floor or wall mounting. For the dimensions see section 8.

The Atlas inverters may be fitted to a wall or any horizontal surface. Ensure ventilation is adequate for the heat generated by the continuous power. Make sure you will have easy access to the inside of the inverter after it has been installed.

Keep the distance between the inverter and the battery as short as possible.

### 3.3 CONNECTIONS

#### 3.3.1 Earth

Connect the mains earth wire to the earth (PE) of the 230 V terminal block. This circuit is functional only if the cabinet is connected to earth. You must therefore connect the inverter to earth. The earth for vessels is the hull or earth plate; for motor vehicles it is the chassis. See illustration 1, page 20.

#### 3.3.2 230-Volt AC output

The terminal block is located on the PCB. The 230 V external equipment must be connected to the inverter by means of a three-wire cable.



Use a cable with a flexible core. A wire diameter of 1.5 to 2.5 mm is sufficient (see illustration 1, page 20.). The connection arrangement on the output terminal block is as follows:

Phase: brown or black wire to: L1  
Neutral wire: blue wire to: N  
Earth: yellow/green wire to: PE

---

The inverter will be seriously damaged if another alternating current (e.g. from a generator) is connected to the 230 V output.

---

You can avoid such damage by using a Victron Mains Manager in your power system.

### 3.3.3 Battery

The connecting points for the 12 V<sub>DC</sub>, 24 V<sub>DC</sub> and 48 V<sub>DC</sub> inputs are located to the right on the bottom of the PCB.

The functioning and working life of equipment and batteries depend on the battery connections being made correctly. Between the battery and inverter there is a circuit with a low voltage and high current. Resistance decreases accordingly as cables become shorter and thicker. The combined resistance of the two cables must not exceed the values given below.

	<b>cable resistance</b>
<b>Atlas 12/1600</b>	4 milliohms
<b>Atlas 24/850</b>	15 milliohms
<b>Atlas 24/1600</b>	8 milliohms
<b>Atlas 48/850</b>	30 milliohms
<b>Atlas 48/1600</b>	16 milliohms

### 3.3.3 Protection of battery cables

The battery cables are protected by fuses located in the cabinet of the inverter (see illustration 1).

### 3.3.4 Battery cables

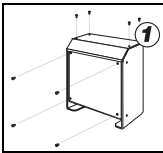
Distances to batteries:

	shorter than 1.5 m	longer than 1.5 m(max. 6 m)
<b>Atlas 12/1600</b>	25 mm <sup>2</sup>	35 mm <sup>2</sup>
<b>Atlas 24/850</b>	6 mm <sup>2</sup>	10 mm <sup>2</sup>
<b>Atlas 24/1600</b>	10 mm <sup>2</sup>	16 mm <sup>2</sup>
<b>Atlas 48/850</b>	2.5 mm <sup>2</sup>	6 mm <sup>2</sup>
<b>Atlas 48/1600</b>	6 mm <sup>2</sup>	10 mm <sup>2</sup>

Avoid contact resistances by connecting the battery cables only by means of (new) cable lugs.

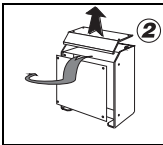
### 3.3.6 Procedure

The inverter is not protected against reversed polarity. The following procedure should therefore be used:



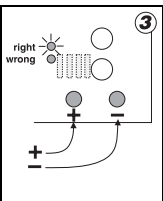
#### step 1

Unscrew the four screws of the dripshields and the four screws on the front of the cabinet.



#### step 2

Carefully take off the dripshield and slide the front of the cabinet to one side.

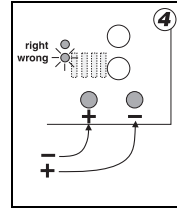


#### step 3

Satisfy yourself that the four fuses (30 Ampere) have been disconnected. You will find the fuses with the other connection material. Connect the battery cables; the "+" (red) to the left connector and the "-" to the connector on the right. If the connections have been made properly, the green LED ("right") will light up.

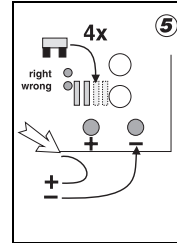
**step 4**

If the red LED ("wrong") lights up, this means that the battery cables have been connected incorrectly. In this event, immediately disconnect the battery cables. Switch the cables over, then reconnect them.



**step 5**

When the green LED "right" is lit up, the four fuses of 30 ampere can be fitted. To this end, disconnect the plus pole of the battery cable. Fit the fuses, then reconnect the plus pole again.



**step 6**

Check that the connections have been sufficiently tightened. Use the M6, open-end spanner.

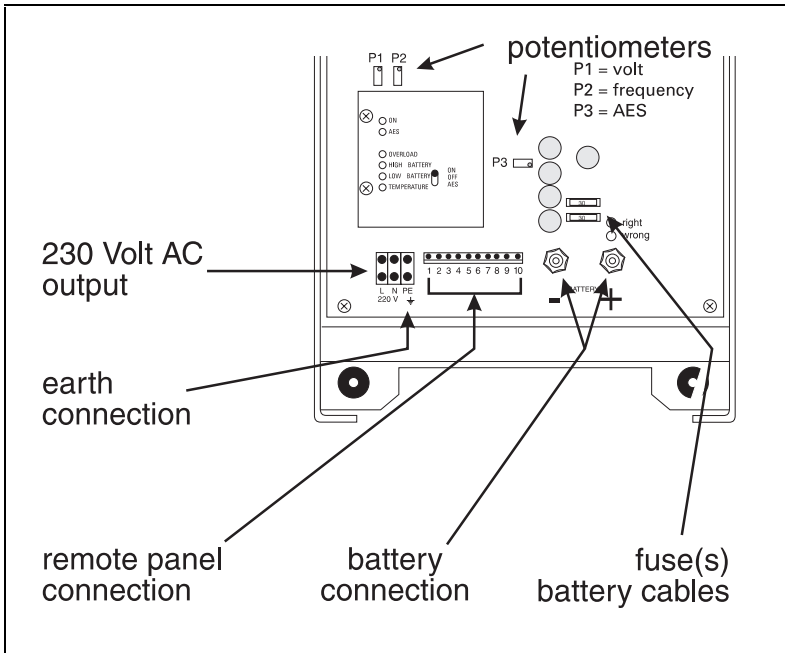


Illustration 1.

## 4. START-UP

---

### 4.1 OPERATION

The switches and LEDs of the Atlas inverter are located on the front of the inverter (see illustration 2).

### 4.2 SWITCHING ON THE INVERTER

Start the inverter by setting the "inverter" switch to the "on" position. The "on" LED lights up if an output voltage is present.

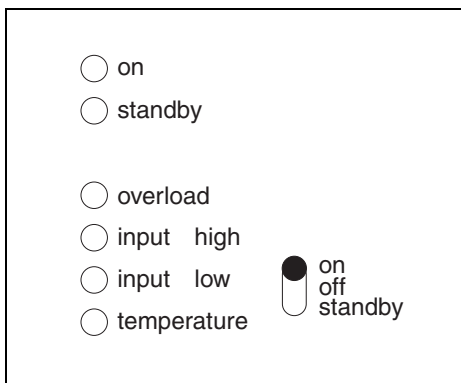


Illustration 2

#### 4.2.1 Stand-by mode

When the switch is set to the "stand-by" mode (bottom position of the switch) but there is no load, the yellow "stand-by" LED lights up. This activates the "AES". The inverter starts as soon as the load at the output rises above the critical limit of approx. 10.5 W (5 k2 load at a 230 V output voltage).

**AES =**  
automatic  
economy  
switch

The yellow "stand-by" LED goes out and the "on" LED lights up. If the load is switched off, the inverter automatically reverts to "stand-by" and the "stand-by" LED lights up again.

### 4.3 HIGH TEMPERATURE

The "temperature" LED lights up if the FET's and/or the ring core transformer become too hot as a result of a short-circuit at the output, unacceptably high ambient temperatures or prolonged overloading. Also refer to section 2.3.

## 4.4 OVERLOAD

The "overload" LED flashes if the inverter is subjected to unacceptable overloading. This automatically switches off the inverter. The inverter restarts once the load has reduced and the electronics have cooled down. Also refer to section 2.4.

## 4.5 HIGH/LOW BATTERY VOLTAGE

If the "input high" LED or "input low" LED lights up after the Atlas inverter has been switched on, there may be a problem with the battery voltage. It may be too high or too low. The inverter switches off and will restart once the input voltage has risen or dropped sufficiently. Also refer to sections 2.5 and 2.6. Check the voltage by means of a voltmeter.

## 4.6 REMOTE CONTROL

A remote control panel may be fitted to switch the inverter on and off and to read out the LEDs. A closed switch means the inverter is switched on (see illustration 3 for the positions of the connecting points).

## 4.7 MAINTENANCE

The Atlas inverters do not require any special maintenance. It is advisable to check the electrical connections periodically (once a year). Keep the inverters as dry and clean as possible.

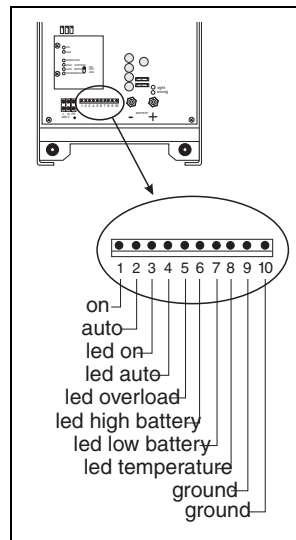


illustration 3

## 5. ADJUSTMENTS

Open the cabinet by removing the four outer screws on the front (see illustration 5).

The adjustment point can be found on the PCB of the inverter (see illustration 6).

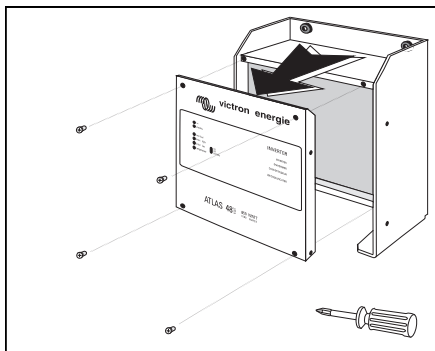


illustration 5

### 5.1 OUTPUT VOLTAGE

The output voltage is set to a standard value of  $230 V_{\text{rms}}$  at a continuous load. The unloaded output voltage is approximately  $235 V_{\text{rms}}$ . The output voltage may be adjusted by turning potentiometer P1 to the left ("+") or right ("-"). See illustration 6 for the location of the potentiometer.

For the accurate measurement of the output voltage you will need a true-RMS meter or a moving-iron voltmeter. P2 and P3 are preset in the factory and may under no circumstance be adjusted by the customer.

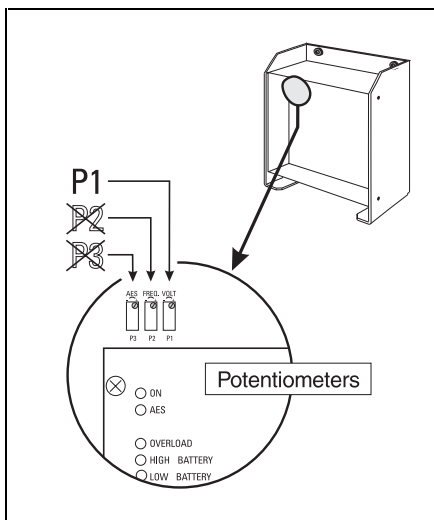
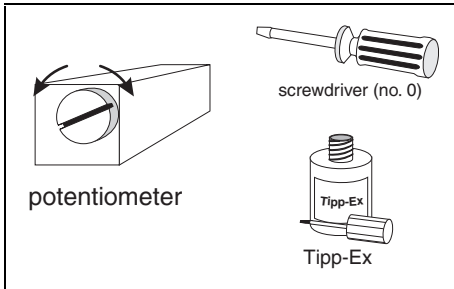


illustration 6.

## 5.2 POTENTIOMETERS

Potentiometers are adjustable resistors. Turning the screw increases or reduces the values associated within the potentiometer.

These values may concern matters such as voltage, frequency or switch-on sensitivity. The screw must be turned by means of a screwdriver (No. 0) and sealed with Tipp-Ex or nail polish. See also illustration 7.



*illustration 7.*



## 6. FAULT TRACING LIST

---

### 6.1 GENERAL

This list will facilitate the rapid tracing of the most common types of faults. Before performing checks on the inverters you must:

- disconnect all 12 V, 24 V and 48 V external equipment from the batteries;
- bear in mind that some equipment (such as certain TV sets, video recorders, audio equipment, measuring instruments and navigation equipment) requires sine-wave voltage in order to function correctly. Victron Energie supplies its series of Phoenix sinusoidal inverters with powers of 350 W to 1500 W for this type of equipment.

### 6.2 THE INVERTER FAILS TO START.

- Step 1** Set the "inverter" switch to "on" and check whether the green "on" LED lights up. Go to step 2.
- Step 2** If the green "on" LED does NOT light up and the Atlas inverter produces only a "buzzing" noise and/or the "overload" LED lights up after a few seconds, go to step 3. If this does not happen, go to step 4.
- Step 3** Remove the load from the AC output and check whether the "on" LED now lights up when the inverter is switched on. If it does not, go to step 9.
- Step 4** If the green "on" LED does light up, check the input voltage of the batteries on the terminals of the Atlas inverter. The input voltage should be between two values, i.e.:

	min. input voltage	max. input voltage
<b>Atlas 12/1600</b>	11 V	16 V
<b>Atlas 24/850</b>	21 V	32 V
<b>Atlas 24/1600</b>	21 V	32 V
<b>Atlas 48/850</b>	40 V	66 V
<b>Atlas 48/1600</b>	40 V	66 V

Go to step 5 if the input voltage does not fall between these minimum and maximum values. If the input voltage is correct, go to step 7.



- Step 5** Check whether the 12 V, 24 V or 48 V connecting cables are properly connected and the wires are of a sufficient diameter. Rectify the situation if the connecting cables are not properly connected or the wire diameters are not in conformity with the specifications. If this action does not solve the problem, go to step 6.
- Step 6** The batteries must be charged. Go to step 7 if the batteries have been sufficiently charged or recharged but the inverter does not start.
- Step 7** Check whether the plus ("+") and minus ("-") of the batteries and inverter correspond. Go to step 8.
- Step 8** Take the following action if the plus ("+") and minus ("-") of the batteries and inverter do not correspond:
- Switch off the inverter.
  - Connect up the correct poles of the batteries and inverter.
  - Check the input fuse and replace if necessary.
- The problem has been solved if the inverter now starts. Go to step 9 if the inverter fails to start.
- Step 9** Contact your Victron dealer to have the inverter repaired.

### **6.3 THE AC OUTPUT VOLTAGE IS TOO LOW.**

The AC output voltage is too low when measured by means of an RMS voltmeter. Also refer to section 5.1.

1. Turn potentiometer P1 (see 5, "Adjustments") to the right and check whether the voltage returns to the normal value.
2. If not, contact your Victron dealer to have the inverter repaired.

# 7. SPECIFICATIONS

---

## 7.1 INPUT

Nominal input voltage:

Atlas 12/1600	:	12 V <sub>DC</sub>
Atlas 24/850	:	24 V <sub>DC</sub>
Atlas 24/1600	:	24 V <sub>DC</sub>
Atlas 48/850	:	48 V <sub>DC</sub>
Atlas 48/1600	:	48 V <sub>DC</sub>

Input voltage range :

Atlas 12/1600	:	10.2-17.25 V <sub>DC</sub>
Atlas 24/850	:	19-33.5 V <sub>DC</sub>
Atlas 24/1600	:	19-33.5 V <sub>DC</sub>
Atlas 48/850	:	37-67.5 V <sub>DC</sub>
Atlas 48/1600	:	37-67.5 V <sub>DC</sub>

Switch-on voltage low:

Atlas 12/1600	:	11 V <sub>DC</sub>
Atlas 24/850	:	21 V <sub>DC</sub>
Atlas 24/1600	:	21 V <sub>DC</sub>
Atlas 48/850	:	40 V <sub>DC</sub>
Atlas 48/1600	:	40 V <sub>DC</sub>

Switch-on voltage high:

Atlas 12/1600	:	16.25 V <sub>DC</sub>
Atlas 24/850	:	32 V <sub>DC</sub>
Atlas 24/1600	:	32 V <sub>DC</sub>
Atlas 48/850	:	66 V <sub>DC</sub>
Atlas 48/1600	:	66 V <sub>DC</sub>

Switch-off voltage low:

Atlas 12/1600	:	10.2 V <sub>DC</sub>
Atlas 24/850	:	19 V <sub>DC</sub>
Atlas 24/1600	:	19 V <sub>DC</sub>
Atlas 48/850	:	37 V <sub>DC</sub>
Atlas 48/1600	:	37 V <sub>DC</sub>

Switch-off voltage high:

Atlas 12/1600	:	17.25 V <sub>DC</sub>
Atlas 24/850	:	33.5 V <sub>DC</sub>
Atlas 24/1600	:	33.5 V <sub>DC</sub>
Atlas 48/850	:	67.5 V <sub>DC</sub>
Atlas 48/1600	:	67.5 V <sub>DC</sub>

Voltage ripple : maximum 5% RMS

Nominal input current:		
Atlas 12/1600	:	160 amp
Atlas 24/850	:	42 amp
Atlas 24/1600	:	78 amp
Atlas 48/850	:	21 amp
Atlas 48/1600	:	39 amp

Maximum input current:		
Atlas 12/1600	:	300 amp
Atlas 24/850	:	80 amp
Atlas 24/1600	:	160 amp
Atlas 48/850	:	40 amp
Atlas 48/1600	:	80 amp

No-load in "on" mode : 10 Watt

No-load in "auto" mode:		
Atlas 12/1600	:	5 Watt
Atlas 24/850	:	2.5 Watt
Atlas 24/1600	:	3.5 Watt
Atlas 48/850	:	4.5 Watt
Atlas 48/1600	:	4.5 Watt

Inputfuses:		
Atlas 12/1600	:	5 x 40 A (carfuse)
Atlas 24/850	:	3 x 30 A (carfuse)
Atlas 24/1600	:	5 x 30 A (carfuse)
Atlas 48/850	:	2 x 30 A (carfuse)
Atlas 48/1600	:	3 x 30 A (carfuse)

## 7.2 OUTPUT

Output voltage	:	230 V <sub>AC</sub> ± 5%
Frequency	:	50 Hz; ± 1 Hz
Waveform of output voltage	:	trapezoidal (modified sine-wave)
Power factor	:	0.9 capacitive to 0.4 inductive

Nominal power:		
Atlas 12/1600	:	1600 Watt
Atlas 24/850	:	850 Watt
Atlas 24/1600	:	1600 Watt
Atlas 48/850	:	850 Watt
Atlas 48/1600	:	850 Watt

(power factor = 1.0) -10°C / +35°C.

At high ambient temperatures the power is readjusted automatically.

Temporary max. power:	
Atlas 12/1600	: 2500 Watt for approx. 1 second
Atlas 24/850	: 1500 Watt for approx. 1 second
Atlas 24/1600	: 3000 Watt for approx. 1 second
Atlas 48/850	: 1500 Watt for approx. 1 second
Atlas 48/1600	: 3000 Watt for approx. 1 second
Atlas 12/1600	: 1800 Watt for approx. 1 hour
Atlas 24/850	: 900 Watt for approx. 1 hour
Atlas 24/1600	: 1800 Watt for approx. 1 hour
Atlas 48/850	: 900 Watt for approx. 1 hour
Atlas 48/1600	: 1800 Watt for approx. 1 hour (power factor = 1.0)
Switch-on behaviour	: The inverter can start under any load conditions. The nominal output voltage is reached in 50 msec.
Efficiency	: 92 % at a nominal power of 25 % to 100 %
Dynamic stability	: Maximum surges of 10% when switching on and off at 50% nominal load. Recovery time is period.
Overload protection	: The delivered power is limited electronically to 155 % of the continuous power at the nominal input voltage.
Short-circuit protection	: The output is short-circuit proof.
The short-circuit current is	:
Atlas 12/1600	: 13 amp
Atlas 24/850	: 6.5 amp
Atlas 24/1600	: 13 amp
Atlas 48/850	: 6,5 amp
Atlas 48/1600	: 13 amp
Ambient temperature protection	: Sensors measure the temperature of critical components. The sensors switch off the inverter if the temperature on the FETs rises above 80°C and/or the transformer temperature rises above 110°C. The inverter restarts automatically after the components have cooled down.

High input voltage protection	:	The inverter switches off automatically at values above:
Atlas 12/1600	:	17.25 V <sub>DC</sub>
Atlas 24/850	:	33.5 V <sub>DC</sub>
Atlas 24/1600	:	33.5 V <sub>DC</sub>
Atlas 48/850	:	67.5 V <sub>DC</sub>
Atlas 48/1600	:	67.5 V <sub>DC</sub>
Low input voltage protection	:	The inverter switches off automatically at values below:
Atlas 12/1600	:	10.2 V <sub>DC</sub>
Atlas 24/850	:	19 V <sub>DC</sub>
Atlas 24/1600	:	19 V <sub>DC</sub>
Atlas 48/850	:	37 V <sub>DC</sub>
Atlas 48/1600	:	37 V <sub>DC</sub>
Insulation voltage of output to earth	:	no breakdown at 2.5 kV <sub>AC</sub>
Insulation resistance:		
in- and output to earth	:	500 M ohm with 500 V <sub>DC</sub>
in- and output mutually	:	500 M ohm with 500 V <sub>DC</sub>
EMC: Electro-magnetic compatibility according Council Directive 89/336 EEC		
Emission	:	EN 55014 (1993)
	:	EN 60555-2 (1986)
Immunity	:	EN 50082-1 (1991)

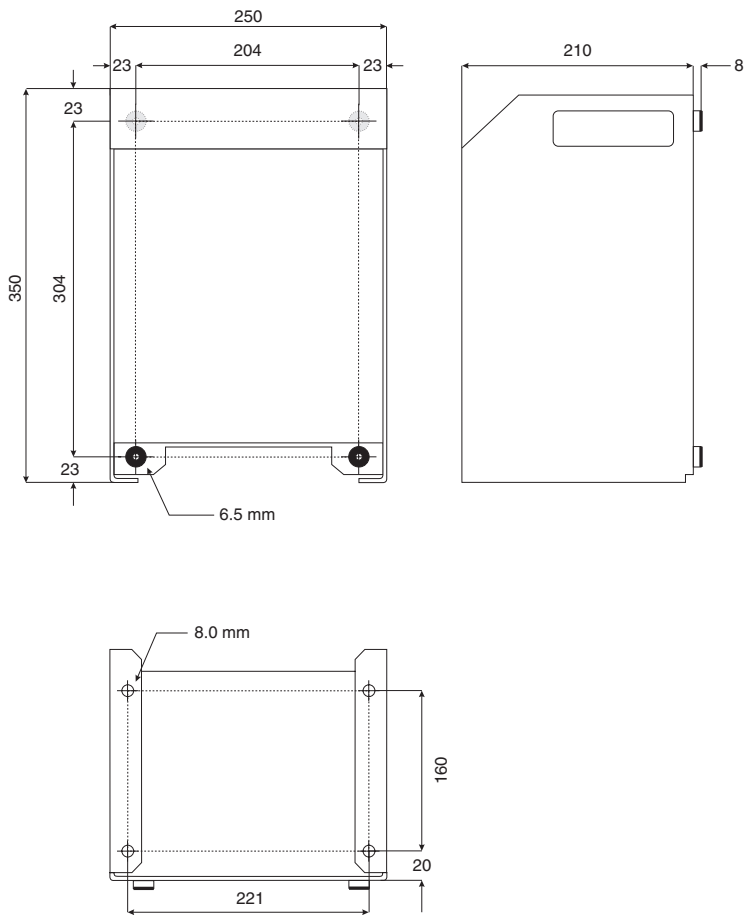
### 7.3 MECHANICAL DATA

Cabinet	:	aluminium, seawater resistant
Protection class	:	IP 21
Colour	:	blue (RAL 5012), epoxy
Dimensions (H x W x D)	:	350 x 250 x 210 mm
Weight	:	
Atlas 12/1600	:	16 kg
Atlas 24/850	:	12 kg
Atlas 24/1600	:	16 kg
Atlas 48/850	:	12 kg
Atlas 48/1600	:	16 kg
Connecting points:		
output 220 V <sub>AC</sub>	:	terminal block on PCB
input 12/24 V <sub>DC</sub>	:	M8 bolts on PCB
remote control	:	terminal block on PCB
Cooling	:	aluminium cooling body
Noise level	:	40 dB(A)
Relative humidity	:	maximum 95%

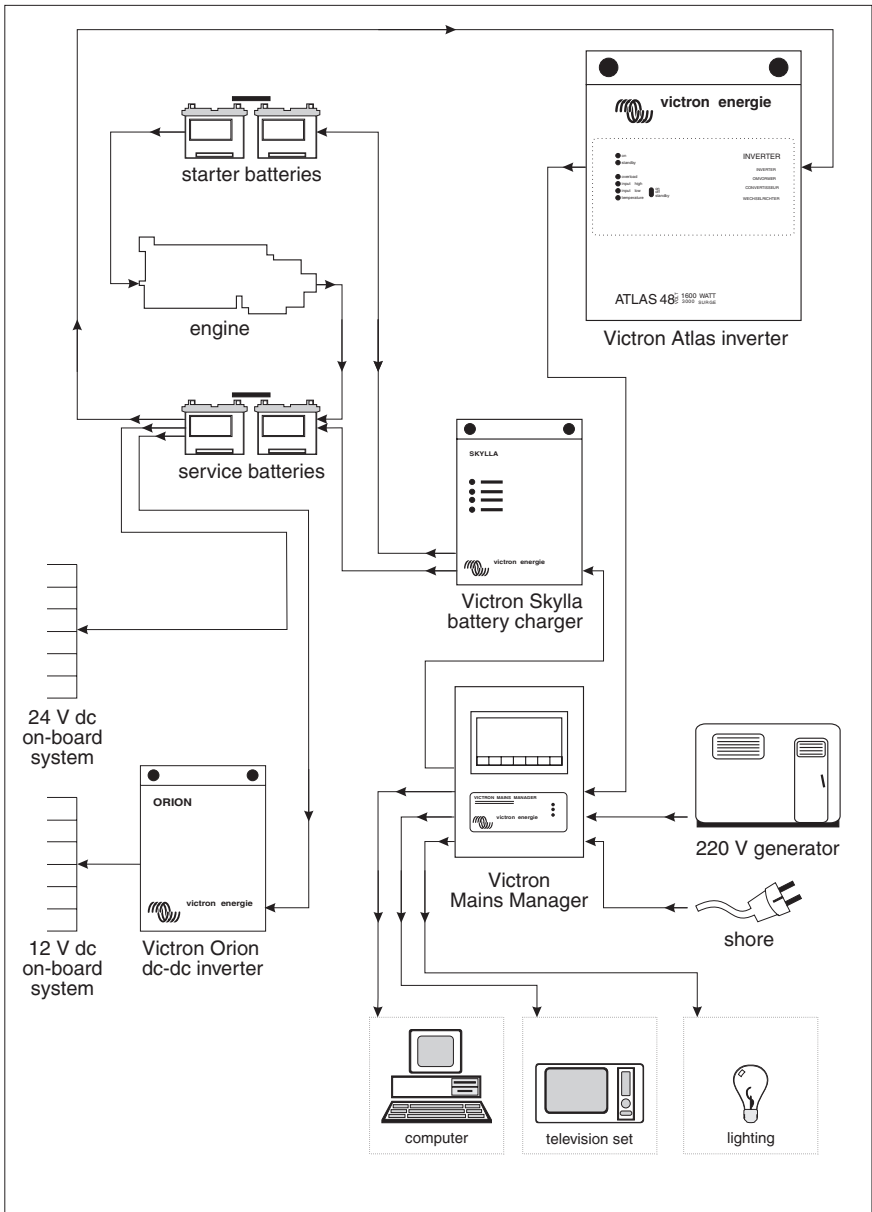
## 8. DRAWINGS

---

Complete Victron Energie system	32
Victron Atlas dimensions	33







© victron energie b.v.

complete VICTRON ENERGIE system

drawing no.: CE320  
date : 120893





**victron energie**

## GEBRUIKSAANWIJZING

Victron Atlas 12/1600

Victron Atlas 24/850

Victron Atlas 24/1600

Victron Atlas 48/850

Victron Atlas 48/1600





# INLEIDING

---

Victron Energie heeft op het gebied van het ontwerpen en fabriceren van elektrische energie voorzienings-systemen internationale bekendheid verworven. Dit is voornamelijk te danken aan de voortdurende aandacht welke de ontwikkelingsafdeling besteedt aan onderzoek naar en realisatie van mogelijkheden om nieuwe technologieën in haar produkten, die zinvolle technische en economische waarden toevoegen, te implementeren.

Deze filosofie heeft geleid tot een complete lijn energie-verzorgende apparatuur waarin de laatste technische ontwikkelingen zijn verwerkt waardoor aan strenge eisen wordt voldaan en optimale prestaties worden verkregen.

Victron Energie systemen maken een kwalitatief hoogwaardige wisselstroom-voorziening mogelijk op plaatsen, waar een permanent aanwezige 230 Volt wisselstroombron ontbreekt.

Een configuratie bestaande uit: een Victron Energie omvormer, een Victron Energie acculader, eventueel een Victron Energie Mains Manager, en 'last but not least' accu's met voldoende capaciteit, voorziet in een geheel 'stand alone' automatisch werkend elektriciteit-voorzieningssysteem.

De mogelijkheden en toepassingen in het veld, op schepen of andere plaatsen, waar een mobiele 230 Volt wisselstroombron nodig is, zijn legio.

Victron Energie-apparatuur is inzetbaar voor alle soorten elektrische apparaten voor zowel huishoudelijke als technische en administratieve toepassingen met inbegrip van storings-gevoelige instrumenten. Waarvoor, om goed te werken, dus een stroomvoorziening van hoge kwaliteit een vereiste is.

## **Atlas 12/1600, 24/850, 24/1600 48/850 & 48/1600 omvormer**

Deze handleiding beschrijft de installatievoorschriften, de functionaliteit, en het gebruik van de Atlas omvormer inclusief de beveiligingsvoorzieningen en kenmerken.





# INHOUDSOPGAVE

---

<b>1. BESCHRIJVING ALGEMEEN</b>	<b>41</b>
1.1 Beschrijving	41
1.2 Beschrijving Atlas omvormer	41
<b>2. BEDRIJFSZEKERHEID</b>	<b>43</b>
2.1 Kortsluiting-beveiliging	43
2.2 Maximaal vermogen-beveiliging	43
2.3 Temperatuur-beveiliging	44
2.3.1 Atlas 12/1600 temperatuur-beveiliging	44
2.4 Overbelasting-beveiliging	44
2.5 Lage ingangsspanning-beveiliging	45
2.6 Hoge ingangsspanning-beveiliging	45
2.7 Aansluiting van plus- en minpool	46
<b>3. INSTALLATIE</b>	<b>47</b>
3.1 Installatie benodigdheden	47
3.2 Plaats	47
3.3 Het aansluiten	47
3.3.1 Aarde-aansluiting	47
3.3.2 230 Volt wisselspanning aansluiting	48
3.3.3 Accu-aansluiting	48
3.3.4 Beveiliging accu-kabels	49
3.3.5 Te gebruiken accu-kabels	49
3.3.6 Aansluit procedure	49
<b>4. IN BEDRIJF-STELLING</b>	<b>51</b>
4.1 Bediening	51
4.2 De omvormer inschakelen	51
4.2.1 "Standby"	51
4.3 Te hoge temperatuur	51
4.4 Overbelasting	52
4.5 Hoge of lage accu-spanning	52
4.6 Afstandsbediening	52
4.7 Onderhoud	52



<b>5. AFREGELLEN</b>	<b>53</b>
5.1 Uitgangsspanning	53
5.2 Potentiometers	54
<b>6. FOUTZOEKSCHEMA</b>	<b>55</b>
6.1 Algemeen	55
6.2 De omvormer treedt niet in werking	55
6.3 De AC uitgangsspanning is te laag	56
<b>7. TECHNISCHE SPECIFICATIES</b>	<b>57</b>
7.1 Ingang	57
7.2 Uitgang	58
7.3 Mechanisch	60
<b>8. TEKENINGEN</b>	<b>61</b>
Compleet Victron energie systeem	62
Victron Atlas afmetingen	63



# 1. BESCHRIJVING ALGEMEEN

---

## 1.1 BESCHRIJVING

De Victron Atlas modellen zijn, voordat deze de fabriek hebben verlaten, op functionaliteit getest. Voor het transport is de Atlas met schokdempende styreenschuim in stevige kartonnen dozen verpakt.

**IP21 =**  
*bescherming  
tegen materiaal  
groter dan 12  
mm (bv. vinger)  
en bestand tegen  
druipwater*

De Victron Atlas modellen zijn in een robuuste aluminium behuizing (IP21) voor vloer- of wandmontage ondergebracht. De wisselstroomaansluitingen van de gebruiksapparatuur, de gelijkstroom-aansluitingen van de accu's en de aansluiting voor een afstandsbedieningspaneel zijn aan te sluiten op de onderzijde van de Atlas omvormer-printplaat.

## 1.2 BESCHRIJVING ATLAS OMFORMER

Met de benaming ATLAS wordt een omvormer bedoeld. De type-aanduiding kan als volgt worden uitgelegd:

- v.b. Atlas 24/850:  
"24" staat voor 24 Volt.  
"850" duidt op het continue uitgangsvermogen van 850 Watt.

Victron Energie is er in geslaagd, ten opzichte van de vorige versies, de Victron Atlas omvormers te verbeteren. De nullast-stroom is lager geworden, het rendement en het vermogen is verhoogd. Dit is gerealiseerd door toepassing van ringkerntrafo's, mede hierdoor is het gewicht van de omvormer gedaald.

De Atlas omvormer maakt van 12 Volt, 24 Volt of 48 Volt gelijkspanning een wisselspanning van 230 Volt<sub>rms</sub> (+/- 5%), 50 Hz.



Door toepassing van hoogfrequente schakeltechnieken en FET-elektronica is een rendement van ca. 92% bij volle belasting bereikt. Het eigen verbruik (nullast-verbruik) van de omvormer (in "auto"-stand geschakeld) is slechts:

	<b>nullast-verbruik ("auto")</b>
<b>Atlas 12/1600</b>	5 W
<b>Atlas 24/850</b>	2.5 W
<b>Atlas 24/1600</b>	3.5 W
<b>Atlas 48/850</b>	4.5 W
<b>Atlas 48/1600</b>	4.5 W

De Victron Atlas omvormer kan op vrijwel alle soorten elektrische en elektronische gebruiksapparaten worden aangesloten.

**Watt =**

*eenheid van  
vermogen*

**Volt =**

*eenheid van  
spanning*

**Voltrms =**

*effectieve waarde  
spanning*

**Hertz =**

*eenheid van  
frequentie*

**FET transistoren =**

*schakelende  
halfgeleiders*

**AES =**

*Automatic Economy  
Switch:  
energie besparende  
stand*

## 2. BEDRIJFSZEKERHEID

---

De Atlas omvormer is door de vele ingebouwde beveiligingen uitermate bedrijfszeker. Onderstaand worden de beveiligingsvoorzieningen nader toegelicht.

### 2.1 KORTSLUITING-BEVEILIGING

De uitgang van de omvormer is tegen kortsluiting beveiligd. De kortsluitstroom bedraagt:

	<b>kortsluitstroom</b>
<b>Atlas 12/1600</b>	11 amp
<b>Atlas 24/850</b>	6.5 amp
<b>Atlas 24/1600</b>	13 amp
<b>Atlas 48/850</b>	6.5 amp
<b>Atlas 48/1600</b>	13 amp

In deze toestand is de uitgangsspanning nagenoeg 0 Volt. Wanneer de kortsluiting wordt opgeheven hervat de omvormer onmiddellijk zijn werking. Het is daarom overbodig om in de uitgang van de omvormer een zekering op te nemen.

### 2.2 MAXIMAAL VERMOGENS-BEVEILIGING

De omvormer kan een maximaal vermogen afgeven, n.l.:

	<b>maximaal vermogen</b>
<b>Atlas 12/1600</b>	2500 W
<b>Atlas 24/850</b>	1500 W
<b>Atlas 24/1600</b>	3000 W
<b>Atlas 48/850</b>	1500 W
<b>Atlas 48/1600</b>	3000 W

Dit vermogen wordt elektronisch begrensd en kan 1 tot 20 seconde(n) geleverd worden (afhankelijk van de grootte van de belasting).



## 2.3 TEMPERATUUR BEVEILIGING

De temperatuur van de elektronica wordt continu gemeten. Voordat de temperatuur door kortsluiting, overbelasting of hoge omgevings-temperatuur te hoog oploopt, schakelt de omvormer reeds uit. De rode LED "temperature" gaat dan aan.

De omvormer start weer automatisch zodra de temperatuur voldoende is gedaald.

### 2.3.1 Atlas temperatuur-beveiliging

De Victron Atlas omvormer heeft een uitbreiding op de standaard temperatuur-beveiliging. Deze uitbreiding bestaat uit een multi-functionele ventilator besturing. Door de toegevoegde elektronica ten behoeve van de ventilator wordt de elektronica in de behuizing continu gemeten. De ventilator treedt (of blijft) in werking wanneer:

- de temperatuur van de elektronica of stroomgeleiders te veel is gestegen of wanneer er een belasting van groter dan 1000 Watt op de Atlas omvormer wordt aangesloten;
- de belasting lager is dan 1000 Watt en er een temperatuurverhoging is;
- de omvormer uitschakelt door overbelasting ("overload") of door een te hoge temperatuur. Hierdoor kan de omvormer versneld afkoelen.

Mede door deze multi-functionele ventilator-besturing worden de elektronica (o.a. FET's), verbindingen en bedrading in staat gesteld om beter af te koelen.

## 2.4 OVERBELASTING-BEVEILIGING

De overbelasting-beveiliging treedt in werking wanneer een te grote belasting wordt aangesloten op de omvormer.

	maximaal vermogen
<b>Atlas 12/1600</b>	1800 W
<b>Atlas 24/850</b>	1000 W
<b>Atlas 24/1600</b>	2000 W
<b>Atlas 48/850</b>	1000 W
<b>Atlas 48/1600</b>	2000 W

De overbelasting-beveiliging werkt als volgt:

- Bij overbelasting knippert de rode LED "overload".
- De omvormer schakelt na enige seconden uit, de rode LED "overload" stopt met knipperen en blijft nu continu aan. Wanneer de belasting weer onder de kritische grens daalt, dan schakelt de omvormer na 30 seconden weer in en kan weer vol vermogen worden geleverd.
- Wanneer binnen een aantal seconden de belasting weer onder de kritische grens komt, blijft de omvormer gewoon doorwerken en gaat de LED "overload" weer uit.

## 2.5 LAGE INGANGSSPANNING BEVEILIGING

De omvormer schakelt uit wanneer de ingangsspanning te laag is en schakelt weer in als de ingangsspanning weer voldoende is gestegen.

	uitschakelen bij lage ingangsspanning	inschakelen na lage ingangsspanning
<b>Atlas 12/1600</b>	$\pm 10 V_{DC}$	$\pm 11 V_{DC}$
<b>Atlas 24/850</b>	$\pm 19 V_{DC}$	$\pm 21 V_{DC}$
<b>Atlas 24/1600</b>	$\pm 19 V_{DC}$	$\pm 21 V_{DC}$
<b>Atlas 48/850</b>	$\pm 37 V_{DC}$	$\pm 40 V_{DC}$
<b>Atlas 48/1600</b>	$\pm 37 V_{DC}$	$\pm 40 V_{DC}$

## 2.6 HOGE INGANGSSPANNING BEVEILIGING

De omvormer schakelt uit wanneer de ingangsspanning te hoog is en schakelt weer in als de ingangsspanning weer voldoende is gedaald.

	uitschakelen bij hoge ingangsspanning	inschakelen na hoge ingangsspanning
<b>Atlas 12/1600</b>	$\pm 17.25 V_{DC}$	$\pm 16.25 V_{DC}$
<b>Atlas 24/850</b>	$\pm 33.5 V_{DC}$	$\pm 32 V_{DC}$
<b>Atlas 24/1600</b>	$\pm 33.5 V_{DC}$	$\pm 32 V_{DC}$
<b>Atlas 48/850</b>	$\pm 67.5 V_{DC}$	$\pm 66 V_{DC}$
<b>Atlas 48/1600</b>	$\pm 67.5 V_{DC}$	$\pm 66 V_{DC}$



## 2.7 AANSLUITING VAN PLUS- EN MINPOOL

---

De Atlas 12/1600, 24/850, 24/1600, 48/850 en 48/1600 zijn NIET beveiligd tegen ompolen, ("+" op "-" en "-" op "+"). Volg daarom nauwlettend de aansluitprocedure die vermeld staat onder 3.3. De garantie voor de Atlas omvormer is niet geldig wanneer er door ompoling een defect is ontstaan.

---

## 3. INSTALLATIE

---

### 3.1 INSTALLATIE-BENODIGDHEDEN

Voor installatie van apparatuur aan de 230 Volt uitgang is een schroevendraaier (nr. 1) nodig. De aansluitpunten zijn links op de voorzijde van de omvormer printplaat geplaatst. (zie afbeelding 1, pagina 50).

### 3.2 PLAATS

Installeer de omvormer in een droge en goed geventileerde ruimte.

**OPGELET: Bij hoge omgevingstemperatuur zal het te leveren vermogen afnemen, het rendement lager zijn en de levensduur korter zijn (zie specificaties)**

Aan de onder- en achterzijde van de behuizing zijn gaten voor vloer- en wandmontage aangebracht. Voor afmetingen zie hoofdstuk 8.

De Atlas omvormers zijn geschikt voor montage aan de wand of op een horizontaal vlak. Let op voldoende ventilatie met het oog op de warmte welke geproduceerd wordt door het continue vermogen. Let er op dat na installatie van de omvormer de voorzijde goed bereikbaar blijft.

Zorg dat de afstand tussen de Atlas omvormer en de accu zo kort mogelijk is.

### 3.3 HET AANSLUITEN

#### 3.3.1 Aarde-aansluiting

De aarde-draad van het stroomnet wordt verbonden met de aarde (PE) van het 230 Volt aansluitblok (zie afbeelding 1, pagina 50). Deze verbinding is alleen functioneel wanneer de behuizing met de aarde verbonden is.

Verbind daarom ook de Atlas omvormer met aarde. Dit is bij schepen de scheepshuid of de aardplaat en bij auto's het chassis.



### 3.3.2 Uitgang 230 Volt wisselspanning

Op de printplaat bevindt zich het klemmenblok. De 230 Volt apparaten worden met een drie-aderige kabel op de Atlas omvormer aangesloten (zie afbeelding 1, pagina 50).

Gebruik een kabel met een soepele kern. Een aderdoorsnede van 1,5 t/m 2,5 mm<sup>2</sup> is voldoende. De aansluiting op het output-klemmenblok is als volgt:

Fase : bruine of zwarte draad op : L1  
Nulleider : blauwe draad op : N  
Aarde : geel/groene draad op : PE

---

De omvormer wordt ernstig beschadigd wanneer op de 230 Volt uitgang een andere wisselspanning wordt gezet. (b.v. van een generator).

---

Dit kan voorkomen worden door toepassing van een Victron Mains Manager in uw energiesysteem.

### 3.3.3 Accu-aansluiting

De aansluitingen voor de 12 Volt<sub>DC</sub>, 24 Volt<sub>DC</sub> of 48 Volt<sub>DC</sub>-ingang bevinden zich rechts aan de onderzijde van de printplaat, zie afbeelding 1, pagina 50.

Deze aansluitingen zijn uitermate belangrijk voor de goede werking en levensduur van apparatuur en accu's. In de verbinding tussen accu en Atlas is sprake van een lage spanning en een hoge stroomsterkte. Hoe korter en dikker de kabels zijn, des te geringer is hun weerstand. De weerstand van de twee kabels tezamen mag niet meer bedragen dan:

	weerstand kabels
<b>Atlas 12/1600</b>	4 milliohms
<b>Atlas 24/850</b>	15 milliohms
<b>Atlas 24/1600</b>	8 milliohms
<b>Atlas 48/850</b>	30 milliohms
<b>Atlas 48/1600</b>	16 milliohms



### 3.3.4 Beveiliging accukabels

De accukabels zijn beveiligd door zekeringen welke gepositioneerd zijn in de behuizing van de omvormer (zie afbeelding 1).

### 3.3.5 Te gebruiken accukabels

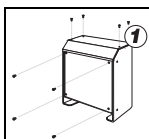
Afstand tot de accu's:

	korter dan 1,5 mtr	langer dan 1,5 mtr
<b>Atlas 12/1600</b>	25 mm <sup>2</sup>	35 mm <sup>2</sup>
<b>Atlas 24/850</b>	6 mm <sup>2</sup>	10 mm <sup>2</sup>
<b>Atlas 24/1600</b>	10 mm <sup>2</sup>	16 mm <sup>2</sup>
<b>Atlas 48/850</b>	2.5 mm <sup>2</sup>	6 mm <sup>2</sup>
<b>Atlas 48/1600</b>	6 mm <sup>2</sup>	10 mm <sup>2</sup>

Vermijd overgangsweerstanden door alleen (nieuwe) kabel schoenen te gebruiken bij het aansluiten van de accukabels.

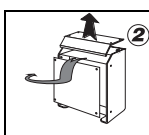
### 3.3.6 Aansluit procedure

De omvormer is niet beveiligd tegen omkering van de polariteit. Daarom moet de volgende procedure worden gevolgd:



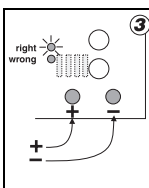
#### stap 1

Draai de vier schroeven los waarmee de vochtbeschermingskap vastzit; draai ook de vier bevestigingsschroeven aan de voorzijde van de behuizing los.



#### stap 2

Neem de beschermkap voorzichtig af en schuif de frontplaat van de behuizing naar één kant.

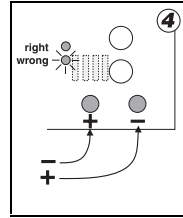


#### stap 3

Vergewis u ervan dat de vier zekeringen (30 ampère) zijn losgekoppeld. De zekeringen treft u aan bij het overige aansluitmateriaal. Sluit de accukabel gemerkt "+" (rood) aan op de linkerconnector en de kabel gemerkt "-" op de rechter connector. Als de aansluitingen op de juiste manier zijn gemaakt, zal de groene LED ("goed") oplichten.

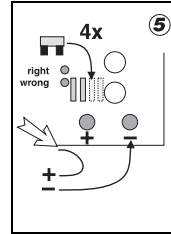
#### stap 4

Als de rode LED ("wrong") oplicht, zijn de accukabels verkeerd aangesloten. U moet de accukabels dan onmiddellijk loskoppelen. Wissel de kabels vervolgens om en sluit ze opnieuw aan.



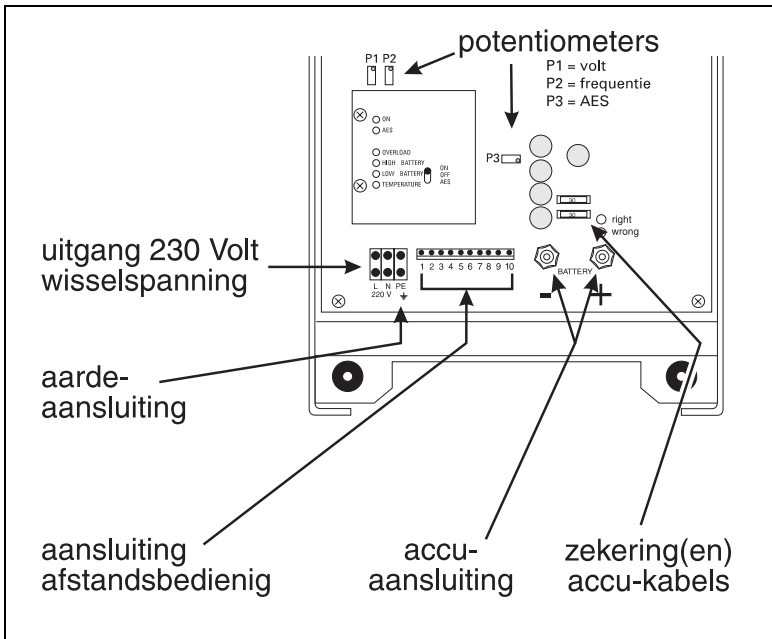
#### stap 5

Als de groene LED "right" oplicht, kunnen de vier zekeringen van 30 ampère worden geïnstalleerd. Koppel de kabel van de pluspool los, installeer de zekeringen en sluit de kabel weer aan op de pluspool.



#### stap 6

Trek de aansluitingen goed na. Gebruik hiervoor een M6-steeksleutel.



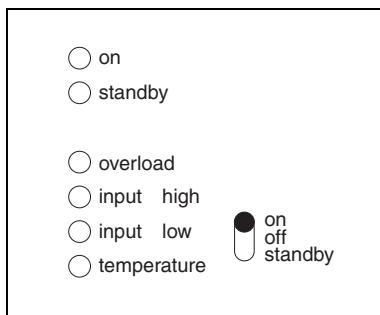
afbeelding 1.

## 4. IN BEDRIJF STELLING

---

### 4.1 BEDIENING

Op het front van de Atlas omvormer bevinden zich de schakelaars en de controle LED's van de omvormer (zie afbeelding 2).



afbeelding 2.

### 4.2 DE OMFORMER INSCHAKELEN

Met de schakelaar kan de omvormer in- en uitgeschakeld worden. De LED "on" gaat aan als uitgangsspanning aanwezig is.

#### 4.2.1 Standby

Wanneer de schakelaar op "standby" wordt gezet (onderste stand van de schakelaar) en er is geen belasting aanwezig zal de gele LED "standby" aangaan. Hierdoor wordt de "AES" ingeschakeld. De omvormer zal inschakelen zodra er op de uitgang de belasting boven de kritische grens van 10,5 Watt komt (5 kilo-Ohm belasting bij 230 Volt uitgangsspanning).

**AES =**  
Automatic  
Economy  
Switch:  
energie  
besparende  
stand

De gele LED "standby" dooft en de LED "on" gaat aan. Als de belasting wordt uitgeschakeld gaat de omvormer automatisch terug naar "standby", de LED "standby" gaat weer branden.

### 4.3 TE HOGE TEMPERATUUR

De LED "temperature" gaat aan wanneer als gevolg van: kortsluiting van de uitgang, een te hoge omgevings-temperatuur of door langdurige overbelasting zodat de FET's en/of de ringkertrafo te warm worden. Zie ook paragraaf 2.3

## 4.4 OVERBELASTING

De LED "overload" gaat knipperen wanneer de omvormer te zwaar overbelast wordt, de omvormer wordt hierdoor automatisch uitgeschakeld. De omvormer zal weer inschakelen zodra de belasting is verminderd en de elektronica is afgekoeld. Zie ook paragraaf 2.4

## 4.5 HOGE OF LAGE ACCU-SPANNING

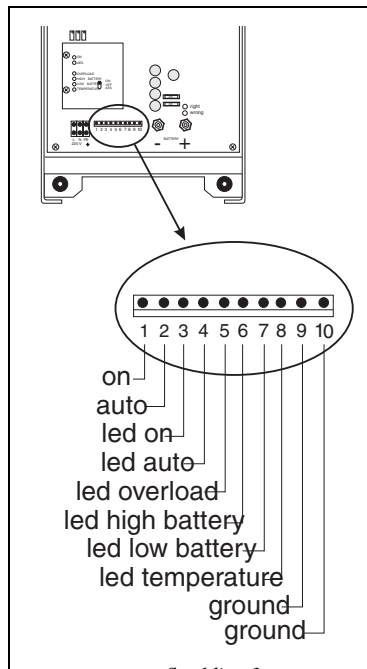
Wanneer na het inschakelen van de Atlas omvormer de LED "input high" of de LED "input low" gaat branden, kan er een probleem zijn met de accu-spanning. De accu-spanning kan dan te laag of te hoog zijn. De omvormer schakelt uit en zal weer inschakelen zodra de ingangsspanning weer voldoende gestegen of gedaald is. Controleer dit met een Voltmeter. Zie ook paragraaf 2.5 en 2.6.

## 4.6 AFSTANDSBEDIENING

Op de Atlas omvormer kan een afstandsbedieningspaneel voor het aan- en uitschakelen en voor de indicatie LED's worden aangesloten. Bij gesloten schakelaar is de omvormer ingeschakeld. (zie voor de positionering van de aansluitingen afbeelding 3).

## 4.7 ONDERHOUD

De Atlas omvormers vereisen geen specifiek onderhoud. Een periodieke controle (1 keer per jaar) op goede elektrische verbindingen is aan te bevelen. Houd de Atlas omvormer zo droog en schoon mogelijk.

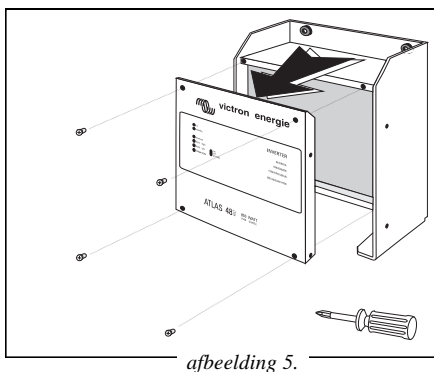


afbeelding 3.

## 5. AFREGELLEN

Open de behuizing door de vier buitenste schroeven aan de voor-zijde weg te nemen. (zie afbeelding 5).

Het afregelpunt (potentiometer) is op de omvormer printplaat te vinden (zie afbeelding 6).



### 5.1 UITGANGSSPANNING

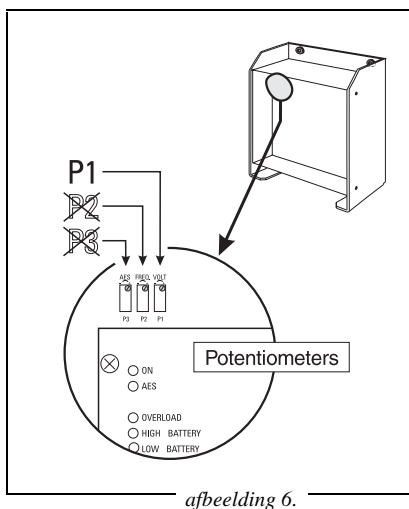
De uitgangsspanning is standaard afgesteld op 230 Volt<sub>rms</sub> bij een continu belasting. De onbelaste uitgangsspanning is ca. 235 Volt<sub>rms</sub>. Door potentiometer P1 naar links ("+" ) of rechts ("-") te draaien verandert de uitgangsspanning. In afbeelding 6 is de positie van de potentiometer afgebeeld.

Nauwkeurige meting van de uitgangsspanning is alleen mogelijk met een "true-RMS-meter of een weekijzermeter (effectieve-waarde meter).

---

P2 en P3 zijn in de fabriek afgesteld en mogen door de afnemer niet worden veresteld !

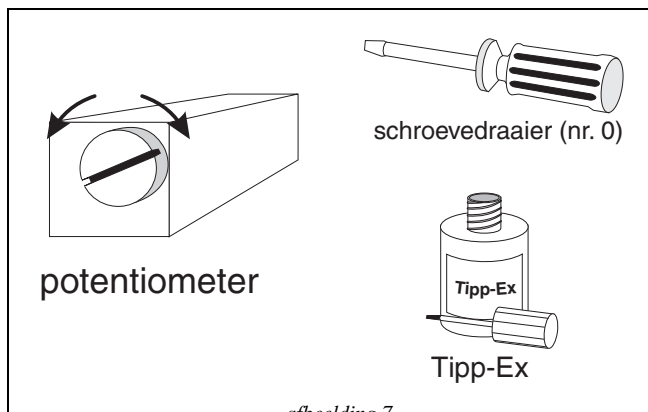
---



## 5.2 POTENTIOMETERS

Potentiometers zijn regelbare weerstanden die door het verdraaien van de schroef de, bij de potentiometer horende, waarde vergroten of verkleinen.

Deze waarden kunnen betrekking hebben op b.v. spanning, frequentie of inschakel-gevoeligheid. De schroef van de potentiometer dient te worden verdraaid met behulp van schroevendraaier nr. 0 en te worden verzegeld met b.v. Tipp-Ex of nagellak. Zie ook afbeelding 7.



afbeelding 7.

## 6. FOUTZOEKSCHEMA

---

### 6.1 ALGEMEEN

De volgende tabellen dienen om u te helpen de meest voor-komende storingen snel op te sporen.

Voor de uit te voeren controles aan de Atlas omvormers:

- De aangesloten 12 Volt, 24 Volt of 48 Volt verbruikers op de accu's loskoppelen.
- Sommige apparatuur, w.o. bepaalde TV's, video-recorders, audio-apparatuur, meetinstrumenten, navigatie-apparatuur, functioneren alleen storingvrij op een sinusvormige spanning. Victron Energie levert hiervoor de serie Phoenix sinus-omvormers met vermogen tussen 350 Watt - 1500 Watt.

### 6.2 DE OMFORMER TREEDT NIET IN WERKING

- stap 1** Zet de schakelaar "inverter" op stand "on" en controleer of de groene LED "on" brandt. Ga naar stap 2.
- stap 2** Wanneer de groene LED "on" NIET brandt en de Atlas omvormer produceert alleen een "brommend" geluid en/of de LED "overload" gaat na enige seconden branden; ga dan naar stap 3. Gebeurt dit niet ga dan naar stap 4.
- stap 3** Verwijder de belasting van de AC-uitgang en controleer of de LED "on" nu wel gaat branden wanneer de omvormer wordt ingeschakeld. Is dit niet het geval ga dan naar stap 9
- stap 4** Wanneer de groene LED "on" WEL brandt; controleer de ingangsspanning van de accu('s) op de klemmen van de Atlas omvormer. De ingangs-spanning moet tussen twee waarden liggen, nl.:

	min. ingangsspanning	max. ingangsspanning
<b>Atlas 12/1600</b>	11 V	16 V
<b>Atlas 24/850</b>	21 V	32 V
<b>Atlas 24/1600</b>	21 V	32 V
<b>Atlas 48/850</b>	40 V	66 V
<b>Atlas 48/1600</b>	40 V	66 V

Valt de ingangsspanning niet tussen de minimale en maximale waarde, ga dan naar stap 5. Is de ingangsspanning correct ga dan naar stap 7.

- stap 5** Controleer de 12 Volt, 24 Volt of 48 Volt aansluitkabels op goede verbindingen en voldoende aderdoorsnede. Zijn de aansluitkabels niet goed verbonden of voldoen de aderdoorsnedes niet aan de specificaties dan dient dit eerst verbeterd/opgelost te worden. Blijft het probleem hierna bestaan ga dan naar stap 6.
- stap 6** De accu's dienen te worden opgeladen. Wanneer de accu's voldoende zijn (op)geladen en de om-vormer treedt niet in werking ga dan naar stap 7.
- stap 7** Controleer of de plus ("+") en min ("-") van de accu('s) en Atlas omvormer met elkaar overeen-komen. Ga naar stap 8.
- stap 8** Wanneer de plus ("+") en de min ("-") van accu('s) en omvormer niet met elkaar overeen-komen dient het volgende gedaan te worden:
- schakel de Atlas omvormer uit;
  - verbind de juiste polen van de accu('s) en omvormer
  - controleer en vervang zonodig de ingangszekering(en).
- Het probleem is opgelost wanneer de Atlas omvormer hierna werkt, als de omvormer nog steeds niet werkt ga dan naar stap 9.
- stap 9** Laat de Atlas omvormer repareren. Neem hiervoor contact op met uw Victron Energie dealer.

### 6.3 DE AC UITGANGSSPANNING IS TE LAAG

De AC uitgangsspanning is te laag, gemeten m.b.v. een RMS-voltmeter, zie ook paragraaf 5.1.

- stap 1** Draai potentiometer P1 (zie "5. Afregelen") rechtsom en controleer of de spanning weer op de normale waarde komt. Ga naar stap 2.
- stap 2** Wanneer dit niet het geval is laat de Atlas omvormer repareren. Neem hiervoor contact op met uw Victron Energie dealer.



## 7. SPECIFICATIES

---

### 7.1 INGANG

Ingangsspanning nominaal:

Atlas12/1600	:	12 Volt <sub>DC</sub>
Atlas24/850	:	24 Volt <sub>DC</sub>
Atlas24/1600	:	24 Volt <sub>DC</sub>
Atlas48/850	:	48 Volt <sub>DC</sub>
Atlas48/1600	:	48 Volt <sub>DC</sub>

Ingangsspanning bereik:

Atlas12/1600	:	10,2-17,25 Volt <sub>DC</sub>
Atlas24/850	:	19 - 33,5 Volt <sub>DC</sub>
Atlas24/1600	:	19 - 33,5 Volt <sub>DC</sub>
Atlas48/850	:	37-67,5 Volt <sub>DC</sub>
Atlas48/1600	:	37-67,5 Volt <sub>DC</sub>

Inschakelspanning laag:

Atlas12/1600	:	11 Volt <sub>DC</sub>
Atlas24/850	:	21 Volt <sub>DC</sub>
Atlas24/1600	:	21 Volt <sub>DC</sub>
Atlas48/850	:	40 Volt <sub>DC</sub>
Atlas48/1600	:	40 Volt <sub>DC</sub>

Inschakelspanning hoog:

Atlas12/1600	:	16,25 Volt <sub>DC</sub>
Atlas24/850	:	32 Volt <sub>DC</sub>
Atlas24/1600	:	32 Volt <sub>DC</sub>
Atlas48/850	:	66 Volt <sub>DC</sub>
Atlas48/1600	:	66 Volt <sub>DC</sub>

Uitschakelspanning laag:

Atlas12/1600	:	10,2 Volt <sub>DC</sub>
Atlas24/850	:	19 Volt <sub>DC</sub>
Atlas24/1600	:	19 Volt <sub>DC</sub>
Atlas48/850	:	37 Volt <sub>DC</sub>
Atlas48/1600	:	37 Volt <sub>DC</sub>

Uitschakelspanning hoog:

Atlas12/1600	:	17,25 Volt <sub>DC</sub>
Atlas24/850	:	33,5 Volt <sub>DC</sub>
Atlas24/1600	:	33,5 Volt <sub>DC</sub>
Atlas48/850	:	67,5 Volt <sub>DC</sub>
Atlas48/1600	:	67,5 Volt <sub>DC</sub>

Spanningsrimpel: maximaal 5% RMS



Ingangsstroom nominaal:	
Atlas12/1600	: 160 Ampère
Atlas24/850	: 42 Ampère
Atlas24/1600	: 78 Ampère
Atlas48/850	: 21 Ampère
Atlas48/1600	: 39 Ampère

Ingangsstroom maximaal:	
Atlas12/1600	: 300 Ampère
Atlas24/850	: 80 Ampère
Atlas24/1600	: 160 Ampère
Atlas48/850	: 40 Ampère
Atlas48/1600	: 80 Ampère

Nullast in positie "on" : 10 Watt

Nullast in positie "auto":	
Atlas12/1600	: 5 Watt
Atlas24/850	: 2,5 Watt
Atlas24/1600	: 3,5 Watt
Atlas48/850	: 4,5 Watt
Atlas48/1600	: 4,5 Watt

Ingangszekeringen:	
Atlas12/1600	: 5 x 40 A (autozekering)
Atlas24/850	: 3 x 30 A (autozekering)
Atlas24/1600	: 5 x 30 A (autozekering)
Atlas48/850	: 2 x 30 A (autozekering)
Atlas48/1600	: 3 x 30 A (autozekering)

## 7.2 UITGANG

Uitgangsspanning	: 230 Volt <sub>AC</sub> ± 5%
Frequentie	: 50 Hz.; ± 1 Hz.
Vorm v/d uitgangsspanning	: trapeziumvormig (gemodificeerde sinusvorm)
Cos phi	: 0,9 capacitef tot 0,4 inductief

Nominiaal vermogen:	
Atlas12/1600	: 1600 Watt
Atlas24/850	: 850 Watt
Atlas24/1600	: 1600 Watt
Atlas48/850	: 850 Watt
Atlas48/1600	: 1600 Watt

(cos phi = 1,0) -10<sup>0</sup>C / + 35<sup>0</sup>C Bij een hoge omgevingstemperatuur wordt het vermogen automatisch teruggeregeld.

Tijdelijk max. vermogen:	
Atlas12/1600	: 2500 Watt gedurende 1 seconde
Atlas24/850	: 1500 Watt gedurende 1 seconde
Atlas24/1600	: 3000 Watt gedurende 1 seconde
Atlas48/850	: 1500 Watt gedurende 1 seconde
Atlas48/1600	: 3000 Watt gedurende 1 seconde
Atlas12/1600	: 1800 Watt gedurende 1 uur
Atlas24/850	: 900 Watt gedurende 1 uur
Atlas24/1600	: 1800 Watt gedurende 1 uur
Atlas48/850	: 900 Watt gedurende 1 uur
Atlas48/1600	: 1800 Watt gedurende 1 uur (cos phi = 1,0)
Inschakelgedrag	: De omvormer kan onder elke belasting inschakelen. De nominale waarde van de uitgangsspanning wordt in 50 milliseconden bereikt.
Rendement	: 94 % bij een nominaal vermogen van 25 % tot 100 %
Dynamische stabiliteit	: maximaal 10 %, kortstondige afwijkingen bij in- en uitschakelen van 50 % nominale belasting. Hersteltijd: ½ periode
Beveiliging tegen overbelasting	: Het afgegeven vermogen wordt elektronisch begrensd op 155 % van het continu vermogen bij nominale ingangsspanning.
Beveiliging tegen kortsluiting	: De uitgang is kortsluitvast. De kortsluitstroom is max.:
Atlas12/1600	: 13 Ampère
Atlas24/850	: 6,5 Ampère
Atlas24/1600	: 13 Ampère
Atlas48/850	: 6,5 Ampère
Atlas48/1600	: 13 Ampère
Beveiliging tegen te hoge omgevingstemperatuur	: De temperatuur van kritische onderdelen wordt gemeten met sensors. De sensors schakelen de omvormer uit indien een temperatuur van 80° C op de FET's en/of een temperatuur van 110° C op de transformator overschreden wordt. Na afkoeling schakelt de omvormer automatisch weer in.

Beveiliging tegen te hoge ingangsspanning	:	De Atlas omvormer schakelt automatisch uit bij een ingangsspanning hoger dan:
Atlas12/1600	:	17,25 Volt <sub>DC</sub>
Atlas24/850	:	33,5 Volt <sub>DC</sub>
Atlas24/1600	:	33,5 Volt <sub>DC</sub>
Atlas48/850	:	67,5 Volt <sub>DC</sub>
Atlas48/1600	:	67,5 Volt <sub>DC</sub>
Beveiliging tegen te lage ingangsspanning	:	De Atlas omvormer schakelt automatisch uit bij een ingangsspanning lager dan:
Atlas12/1600	:	10,2 Volt <sub>DC</sub>
Atlas24/850	:	19 Volt <sub>DC</sub>
Atlas24/1600	:	19 Volt <sub>DC</sub>
Atlas48/850	:	37 Volt <sub>DC</sub>
Atlas48/1600	:	37 Volt <sub>DC</sub>
Isolatiespanning van uitgang naar aarde	:	geen doorslag bij 2,5 kilo-Volt <sub>AC</sub>
Isolatie weerstand:		
in- en uitgang naar aarde:		500 M Ohm met 500 Volt <sub>DC</sub>
in- en uitgang onderling :		500 M Ohm met 500 Volt <sub>DC</sub>
EMC: Elektro-magnetische compatibiliteit overeenkomstig Council Directive 89/336 EEG		
Emissie	:	EN 55014 (1993)
	:	EN 60555-2 (1986)
Immunititeit	:	EN 50082-1 (1991)

### 7.3 MECHANISCH

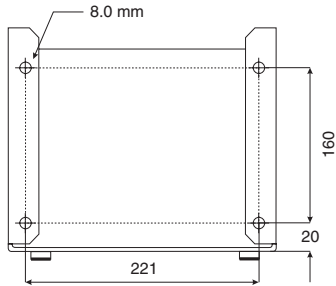
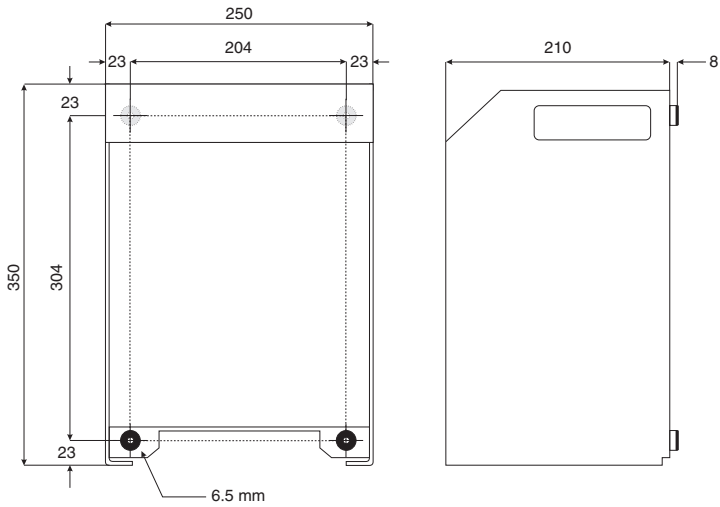
Kast	:	Aluminium, zeewaterbestendig
Bescherming	:	IP 21
Kleur	:	blauw (RAL 5012), epoxy
Afmeting (H x B x T)	:	350 x 250 x 210 mm
Gewicht:		
Atlas12/1600	:	16 kg
Atlas24/850	:	12 kg
Atlas24/1600	:	16 kg
Atlas48/850	:	12 kg
Atlas48/1600	:	16 kg
Aansluitingen:		
Uitgang 220 Volt <sub>AC</sub>	:	aansluitblok op print
Ingang 12/24/48 Volt <sub>DC</sub>	:	bouten (M8) op print
afstandsbediening	:	aansluitblok op print
Koeling	:	aluminium koelprofiel
Geluid	:	<< 40 dB(A)
Relatieve vochtigheid	:	maximaal 95%

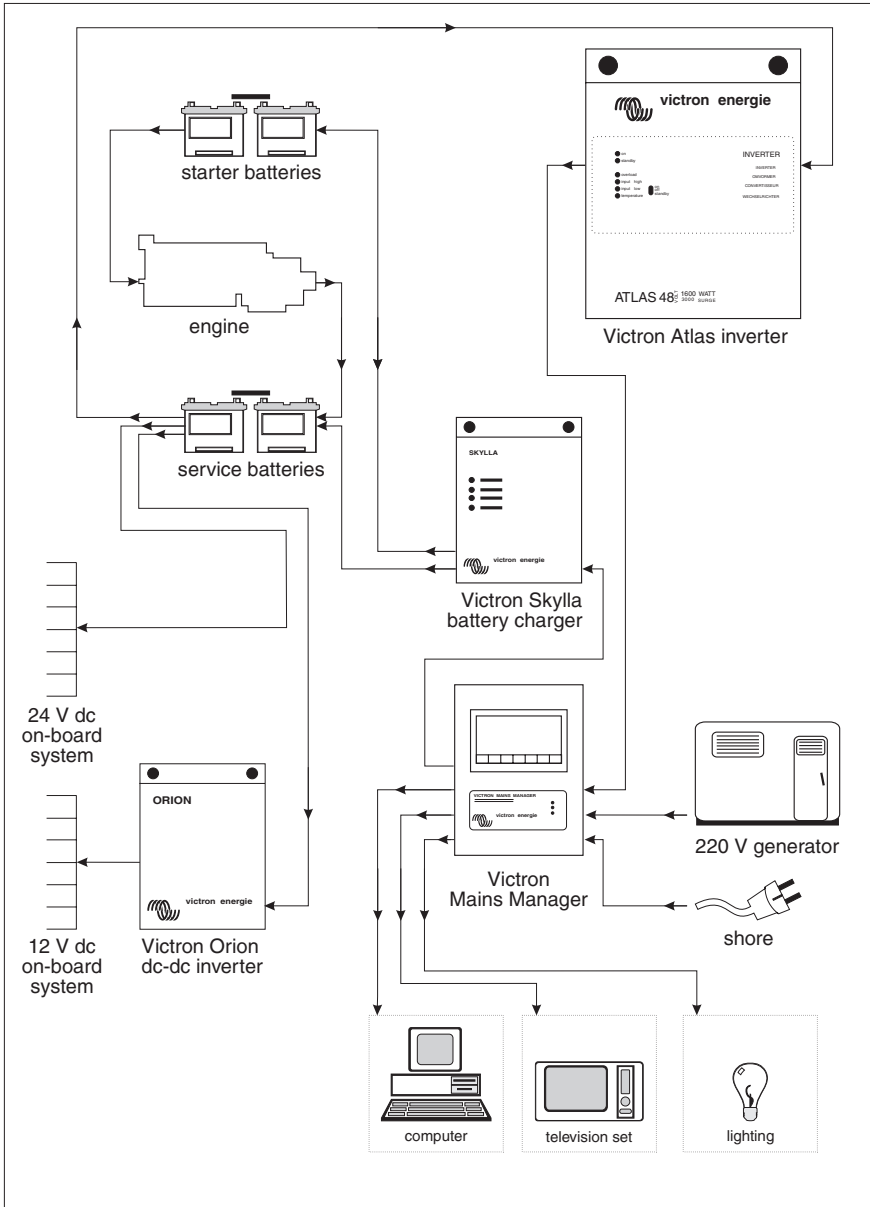
## 8. TEKENINGEN

---

Victron Atlas afmetingen	62
Compleet Victron Energie systeem	63













**victron energie**

## GEBRAUCHSANWEISUNG

Victron Atlas 12/1600  
Victron Atlas 24/850  
Victron Atlas 24/1600  
Victron Atlas 48/850  
Victron Atlas 48/1600





# EINFÜHRUNG

---

Victron Energie hat sich auf dem Gebiet der Entwicklung und Herstellung elektrischer Energieversorgungssysteme international einen großen Namen erworben. Seinen guten Ruf verdankt Victron Energie in erster Linie den Anstrengungen der Entwicklungsabteilung, die fortwährend die Möglichkeiten neuer Technologien untersucht. Technologien, die dem Produkt zusätzlich einen sinnvollen technischen und wirtschaftlichen Wert verleihen.

Aus dieser Philosophie heraus ist eine komplette Palette energieversorgender Geräte entstanden, die den neuesten technischen Entwicklungen und damit den strengsten Anforderungen entspricht und für optimale Leistung konzipiert wurde.

Victron Energie Systeme ermöglichen eine qualitativ hochwertige Wechselstromversorgung auch dort, wo eine permanent vorhandene 220-Volt-Wechselstromquelle fehlt.

Die Konfigurationen bestehen aus einem Victron Energie Wechselrichter, einem Victron Energie Batterieladegerät, eventuell einem Victron Energie Mains Manager und last not least Batterien ausreichender Kapazität und versorgen ein völlig autonomes, automatisch arbeitendes Elektrizitäts-versorgungssystem.

Die Anwendungsmöglichkeiten im Feld, auf Schiffen oder anderen Orten, wo eine mobile 230-Volt-Wechselstromquelle erforderlich ist, sind außerordentlich groß.

Victron Energie Geräte eignen sich für alle Arten von für den häuslichen, technischen und administrativen Bereich vorgesehenen Elektrogeräten einschließlich störungsempfindlicher Instrumente, die für einwandfreies Arbeiten eine Stromquelle hoher Qualität erfordern.

## **Der Victron Atlas 12/1600, 24/850, 24/1600, 48/850 und 48/1600 Wechselrichter**

In dieser Anleitung werden die Installation, die Funktionsweise und der Gebrauch des Atlas Wechselrichters einschließlich der Sicherheitsvorkehrungen und Kennzeichen beschrieben.





# INHALT

---

<b>1.</b>	<b>BESCHREIBUNG</b>	<b>71</b>
1.1	Allgemeines	71
1.2	Atlas Wechselrichter	71
<b>2.</b>	<b>BETRIEBS SICHERHEIT</b>	<b>73</b>
2.1	Kurzschlußsicherung	73
2.2	Maximale Leistungssicherung	73
2.3	Temperatursicherung	74
	2.3.1 Temperatursicherung des Atlas 12/1600	74
2.4	Überlastungssicherung	74
2.5	Sicherung gegen niedrige Eingangsspannung	75
2.6	Sicherung gegen hohe Eingangsspannung	76
2.7	Anschließen an Plus- und Minuspol	76
<b>3.</b>	<b>INSTALLATION</b>	<b>77</b>
3.1	Installationsmaterial für 230-Volt-Anschlüsse	77
3.2	Standort	77
3.3	Anschließen	77
	3.3.1 Erdanschluß	77
	3.3.2 Ausgang 230-Volt-Wechselspannung	78
	3.3.3 Batterieanschluß	78
	3.3.4 Sicherung Batteriekabel	79
	3.3.5 Zu verwendende Batteriekabel	79
	3.3.6 Anschluß Procedure	79
<b>4.</b>	<b>INBETRIEBNAHME</b>	<b>81</b>
4.1	Bedienung	81
4.2	Einschalten des Wechselrichters	81
	4.2.1 "Standby"	81
4.3	Zu hohe Temperatur	81
4.4	Überlastung	82
4.5	Hohe oder niedrige Batteriespannung	82
4.6	Fernbedienung	82
4.7	Instandhaltung	82



<b>5.</b>	<b>FEINEINSTELLUNG</b>	<b>83</b>
5.1	Ausgangsspannung	83
5.2	Potentiometer	84
<b>6.</b>	<b>FEHLERSUCHTABELLE</b>	<b>85</b>
6.1	Allgemeines	85
6.2	Der Wechselrichter funktioniert nicht	85
6.3	Die WS-Ausgangsspannung ist zu niedrig	86
<b>7.</b>	<b>TECHNISCHE ANGABEN</b>	<b>87</b>
7.1	Eingang	87
7.2	Ausgang	88
7.3	Mechanisch	90
<b>8.</b>	<b>ZEICHNUNGEN</b>	<b>91</b>
	Komplettes Victron Energie System	92
	Victron Atlas Abmessungen	93

# 1. BESCHREIBUNG

---

## 1.1 ALLGEMEINES

Die Victron Atlas Modelle werden, bevor sie das Werk verlassen, genau auf ihre einwandfreie Funktion überprüft. Für den Transport werden sie in mit Styrol gefüllten Kartons verpackt und sind damit gut gegen Stöße geschützt.

### **IP21 =**

*Schutz gegen Feststoffe größer als 12 mm (z.B. Finger) und tropfwasser geschützt.*

Das Gehäuse der Victron Atlas Modelle besteht aus stabilem Aluminium (IP21) und ist sowohl für Boden- als auch Wandmontage geeignet. Die Wechselstromanschlüsse der Geräte, die Gleichstromanschlüsse der Batterien und die Anschlüsse für die Fernbedienungs-tafel müssen an der Unterseite der Wechselrichter-Leiterplatte angeschlossen werden.

## 1.2 ATLAS WECHSELRICHTER

Mit der Bezeichnung ATLAS ist der Wechselrichter gemeint. Die Typenbezeichnung ist so zu erklären:

Beispiel:            Victron Atlas 24/850:  
                         "24"        steht für 24 Volt.  
                         "850"      bedeutet eine Dauerausgangsleistung von 850 Watt.

Victron Energie ist es gelungen, die Victron Atlas Wechselrichter gegenüber früheren Modellen zu verbessern. Mit Hilfe von Ringkerntrafos konnte der Nullaststrom gesenkt, der Wirkungsgrad und die Leistung erhöht und das Gewicht des Wechselrichters verkleinert werden.

Der Atlas Wechselrichter transformiert 12, 24 oder 48 Volt Gleichspannung in 230 Volt<sub>rms</sub> ( 5%), 50 Hz Wechsel-spannung.

Durch den Einsatz hochfrequenter Schalttechniken und FET-Elektronik wird ein Wirkungsgrad von ca. 92% bei Vollast erreicht. Der Eigenverbrauch (Nullastverbrauch) des Wechselrichters beträgt (im "auto"-Stand) nur:

	Nullastverbrauch ("auto")
<b>Atlas 12/1600</b>	5 W
<b>Atlas 24/850</b>	2.5 W
<b>Atlas 24/1600</b>	3.5 W
<b>Atlas 48/850</b>	4.5 W
<b>Atlas 48/1600</b>	4.5 W

Der ATLAS Wechselrichter kann an beinahe alle Arten elektrische und elektronische Geräte angeschlossen werden.

**Watt =**

*Leistungseinheit*

**Volt =**

*Spannungseinheit*

**Voltrms =**

*effektiver Wert der Spannung*

**Hertz =**

*Frequenzeinheit*

**FET transistoren =**

*Feldeffekt transistoren: schaltende Halbleiter*

**AES =**

*Automatic Economy Switch*



## 2. BETRIEBSSICHERHEIT

---

Der Atlas Wechselrichter ist aufgrund der zahlreichen eingebauten Sicherungen äußerst betriebssicher. Die Sicherheitsvorkehrungen werden nachstehend näher erläutert.

### 2.1 KURZSCHLUBSICHERUNG

Der Ausgang des Wechselrichters ist gegen Kurzschluß gesichert. Der Kurzschlußstrom beträgt:

	Kurzschlußstrom
<b>Atlas 12/1600</b>	11 amp
<b>Atlas 24/850</b>	6.5 amp
<b>Atlas 24/1600</b>	13 amp
<b>Atlas 48/850</b>	6.5 amp
<b>Atlas 48/1600</b>	13 amp

In diesem Zustand beträgt die Ausgangsspannung beinahe 0 Volt. Ist der Kurzschluß behoben, nimmt der Wechselrichter seine Arbeit sofort wieder auf. Eine Sicherung im Ausgang des Wechselrichters erübrigt sich daher.

### 2.2 MAXIMALE LEISTUNGSSICHERUNG

Der Wechselrichter kann eine maximale Leistung liefern, nämlich:

	maximale Leistung
<b>Atlas 12/1600</b>	2500 W
<b>Atlas 24/850</b>	1500 W
<b>Atlas 24/1600</b>	3000 W
<b>Atlas 48/850</b>	1500 W
<b>Atlas 48/1600</b>	3000 W

Diese Leistung wird elektronisch begrenzt und kann 1 bis 20 Sekunden lang geliefert werden (je nach Höhe der Belastung).

## 2.3 TEMPERATURSICHERUNG

Die Temperatur der Elektronik wird fortwährend gemessen. Bevor die Temperatur durch Kurzschluß, Überlastung oder hohe Umgebungstemperatur zu hoch steigt, schaltet sich der Wechselrichter aus. Die rote "temperature"-Anzeige leuchtet dann auf. Der Wechselrichter startet wieder automatisch, sobald die Temperatur weit genug gesunken ist.

### 2.3.1 Temperatursicherung des Atlas

Die Temperatursicherung des Victron Atlas Wechselrichters wurde mit einer multifunktionellen Ventilatorsteuerung erweitert. Die sich im Gehäuse befindliche Elektronik wird durch die zusätzliche Ventilatorelektronik ständig gemessen. Der Ventilator schaltet sich ein (oder bleibt eingeschaltet), wenn:

- die Temperatur der Elektronik oder der Stromleiter zu stark gestiegen ist oder wenn eine Belastung von mehr als 1000 Watt an den Atlas Wechselrichter angeschlossen wird.
- die Belastung niedriger als 1000 Watt und die Temperatur gestiegen ist.
- sich der Wechselrichter wegen Überlastung ("overload") oder zu hoher Temperatur ausschaltet. Dadurch kann der Wechselrichter schneller abkühlen.

Auch dank dieser multifunktionellen Ventilatorsteuerung können die Elektronik (u.a. die FET), die Verbindungen und die Verdrahtung besser abkühlen.

## 2.4 ÜBERLASTUNGSSICHERUNG

Wenn der Wechselrichter mit einer zu hohen Leistung belastet wird, wird die Überlastungssicherung wirksam.

	Überlastungssicherung bei
Atlas 12/1600	1800 W
Atlas 24/850	1000 W
Atlas 24/1600	2000 W
Atlas 48/850	1000 W
Atlas 48/1600	2000 W

Die Überlastungssicherung funktioniert folgendermaßen:

- Bei Überlastung blinkt die rote "overload"-Anzeige.
- Der Wechselrichter schaltet sich nach einigen Sekunden aus, die rote "overload"-Anzeige hört auf zu blinken und brennt fortwährend. Fällt die Belastung wieder unter die kritische Grenze, schaltet sich der Wechselrichter nach 30 Sekunden wieder ein und kann die volle Leistung wieder erbracht werden.
- Fällt die Belastung innerhalb von wenigen Sekunden wieder unter die kritische Grenze, bleibt der Wechselrichter normal wirksam und geht die "overload"-Anzeige wieder aus.

## 2.5 SICHERUNG GEGEN NIEDRIGE EINGANGSSPANNUNG

Der Wechselrichter schaltet sich aus, wenn die Eingangs-spannung zu niedrig ist, und schaltet sich wieder ein, wenn die Eingangsspannung wieder in ausreichendem Maße gestiegen ist.

	<b>schaltet sich aus bei zu niedriger Eingangsspannung</b>	<b>schaltet sich ein nach zu niedriger Eingangsspannung</b>
<b>Atlas 12/1600</b>	$\pm 10 V_{DC}$	$\pm 11 V_{DC}$
<b>Atlas 24/850</b>	$\pm 19 V_{DC}$	$\pm 21 V_{DC}$
<b>Atlas 24/1600</b>	$\pm 19 V_{DC}$	$\pm 21 V_{DC}$
<b>Atlas 48/850</b>	$\pm 37 V_{DC}$	$\pm 40 V_{DC}$
<b>Atlas 48/1600</b>	$\pm 37 V_{DC}$	$\pm 40 V_{DC}$

## 2.6 SICHERUNG GEGEN HOHE EINGANGSSPANNUNG

Der Wechselrichter schaltet sich aus, wenn die Eingangsspannung zu hoch ist, und schaltet sich wieder ein, wenn die Eingangsspannung wieder in ausreichendem Maße gesunken ist.

	schaltet sich aus bei zu hoher Eingangsspannung	schaltet sich ein nach zu hoher Eingangsspannung
<b>Atlas 12/1600</b>	$\pm 17.25 V_{DC}$	$\pm 16.25 V_{DC}$
<b>Atlas 24/850</b>	$\pm 33.5 V_{DC}$	$\pm 32 V_{DC}$
<b>Atlas 24/1600</b>	$\pm 33.5 V_{DC}$	$\pm 32 V_{DC}$
<b>Atlas 48/850</b>	$\pm 67.5 V_{DC}$	$\pm 66 V_{DC}$
<b>Atlas 48/1600</b>	$\pm 67.5 V_{DC}$	$\pm 66 V_{DC}$

## 2.7 ANSCHLIEBEN AN PLUS- UND MINUSPOL

---

Die Modelle Atlas 12/1600, 24/850, 24/1600, 48/850 und 48/1600 sind NICHT gegen Umpolen ("+" an "-" und "-" an "+") gesichert. Befolgen Sie daher das unter 3.3 beschriebene Anschlußverfahren genau.

Die Garantie kann für den Atlas Wechselrichter nicht in Anspruch genommen werden, wenn durch Umpolen ein Defekt entstanden ist.

---

## 3. INSTALLATION

---

### 3.1 INSTALLATIONSMATERIAL

Zur Installation von Geräten an den 230-Volt-Ausgang ist ein Schrauben-dreher (Nr. 1) erforderlich. Die Anschlußpunkte befinden sich links auf der Vorderseite der Leiterplatte des Wechselrichters, siehe Seite 80.

### 3.2 STANDORT

Installieren Sie den Wechselrichter in einem trockenen und gut gelüfteten Raum.

**ACHTUNG: Bei hoher Umgebungstemperatur nimmt die zu liefernde Leistung ab, sinkt der Wirkungsgrad und ist die Lebensdauer kürzer (siehe Technische Angaben).**

An der Unter- und Rückseite des Gehäuses befinden sich Löcher zur Boden- und Wandmontage. Die Größen entnehmen Sie bitte Kapitel 8.

Der Atlas Wechselrichter eignet sich zur Montage an der Wand oder auf horizontaler Fläche. Achten Sie im Hinblick auf die bei Dauerleistung produzierten Wärme auf aus-reichende Lüftung. Achten Sie darauf, daß die Teile innen nach der Installation gut erreichbar bleiben.

Wählen Sie den Standort für den Atlas Wechselrichter so, daß die Entfernung zur Batterie möglichst klein ist.

### 3.3 ANSCHLIEBEN

#### 3.3.1 Erdanschluß

Das Erdkabel des Stromnetzes wird mit der Erde (PE) des 230-Volt-Anschlußblocks verbunden. Diese Verbindung ist nur dann wirksam, wenn das Gehäuse mit der Erde verbunden ist. Verbinden Sie daher auch den Atlas Wechselrichter mit der Erde. Bei Schiffen ist dies der Rumpf oder die Erdplatte, bei Autos das Chassis. Siehe Abbildung 1, Seite 80.



### 3.3.2 Ausgang 230-Volt-Wechselspannung

Auf der Leiterplatte befindet sich der Klemmenblock. Die 230-Volt-Geräte werden mit einem Dreifachkabel an den Atlas Wechselrichter angeschlossen.

Verwenden Sie dazu ein Kabel mit einem flexiblen Kern. Ein Aderdurchmesser von 1,5 bis 2,5 mm<sup>2</sup> ist ausreichend (siehe Abbildung 1, Seite 80). Der Anschluß an den Output-Klemmenblock geschieht folgendermaßen:

Phase: braunes oder schwarzes Kabel an: L1  
Nulleiter: blaues Kabel an: N  
Erde: gelbes/grünes Kabel an: PE

---

Der Wechselrichter wird schwer beschädigt, wenn am 230-Volt-Ausgang eine andere Wechselspannung angeschlossen wird (z.B. von einem Generator).

---

Sie können das verhindern, indem Sie einen Victron Mains Manager in Ihr Energiesystem einbauen.

### 3.3.3 Batterieanschluß

Die Anschlüsse für den 12-Volt<sub>GS</sub>-, 24-Volt<sub>GS</sub>- oder 48-Volt<sub>GS</sub>- Eingang befinden sich rechts an der Unterseite der Leiterplatte.

Diese Anschlüsse sind für ein gutes Funktionieren und eine lange Lebensdauer der Geräte und Batterien äußerst wichtig. Bei der Verbindung zwischen Batterie und Atlas handelt es sich um niedrige Spannung und hohe Stromstärken. Je kürzer und dicker die Kabel sind, desto geringer ist ihr Widerstand. Der Widerstand der zwei Kabel darf zusammen nicht höher sein als:

	Widerstand der Kabel
Atlas 12/1600	4 milliohms
Atlas 24/850	15 milliohms
Atlas 24/1600	8 milliohms
Atlas 48/850	30 milliohms
Atlas 48/1600	16 milliohms

### 3.3.4 Sicherung Batteriekabel

Die Batteriekabel sind mit Hilfe von Sicherungen, die sich im Gehäuse des Wechselrichters befinden, gesichert (siehe Abbildung 1).

### 3.3.5 Zu verwendende Batteriekabel

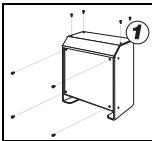
Abstand zu den Batterien:

	kürzer als 1,5 m	länger als 1,5 m(max. 6 m)
<b>Atlas 12/1600</b>	25 mm <sup>2</sup>	35 mm <sup>2</sup>
<b>Atlas 24/850</b>	6 mm <sup>2</sup>	10 mm <sup>2</sup>
<b>Atlas 24/1600</b>	10 mm <sup>2</sup>	16 mm <sup>2</sup>
<b>Atlas 48/850</b>	2.5 mm <sup>2</sup>	6 mm <sup>2</sup>
<b>Atlas 48/1600</b>	6 mm <sup>2</sup>	10 mm <sup>2</sup>

Vermeiden Sie Übergangswiderstände, indem Sie zum Anschließen der Batteriekabel ausschließlich (neue) Kabelschuhe verwenden.

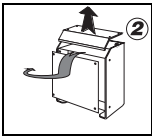
### 3.3.6 Anschluß Procedure

Der Wechselrichter ist nicht gegen Umpolen gesichert. Es muß deshalb wie folgt verfahren werden:



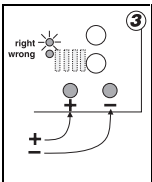
#### Schritt 1

Die vier Schrauben der Tropfschirme und die vier Schrauben an der Vorderseite des Schanks lösen.



#### Schritt 2

Den Tropfschirm vorsichtig abheben und die Vorderseite des Schanks seitlich wegschieben.

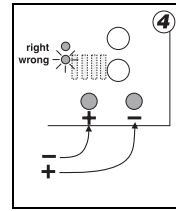


#### Schritt 3

Kontrollieren Sie, ob die vier Sicherungen (30 Ampere) abgetrennt wurden. Sie finden sie bei den anderen Anschlußmaterialien vor. Die Batteriekabel mit "+" (rot) an den linken Stecker und mit "-" an den rechten Stecker anschließen. Wenn die Kabel richtig angeschlossen wurden, leuchtet die grüne Anzeige ("right") auf.

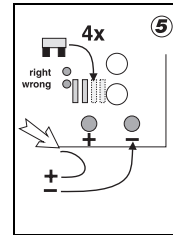
#### Schritt 4

Wenn die rote Anzeige ("wrong") aufleuchtet, wurden die Batteriekabel nicht richtig angeschlossen. Die Batteriekabel sofort abtrennen. Die Kabel austauschen und erneut anschließen.



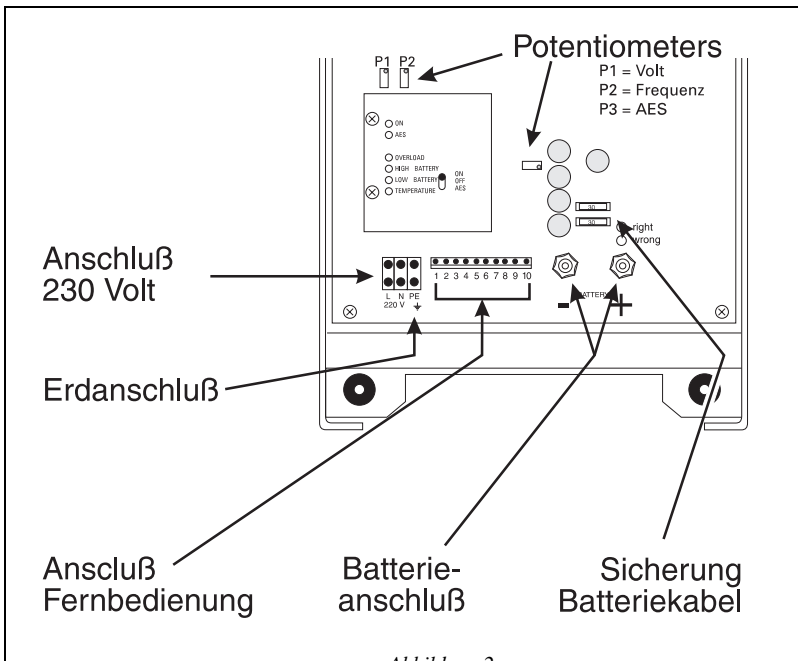
#### Schritt 5

Wenn die grüne Anzeige "right" aufleuchtet, können die Sicherungen montiert werden. Den Pluspol des Batteriekabels abtrennen. Die vier Sicherungen von 30 Ampere anbringen und den Pluspol erneut anschließen.



#### Schritt 6

Kontrollieren Sie, ob die Anschlüsse ausreichend angezogen wurden. Verwenden Sie einen M6-Maulschlüssel.



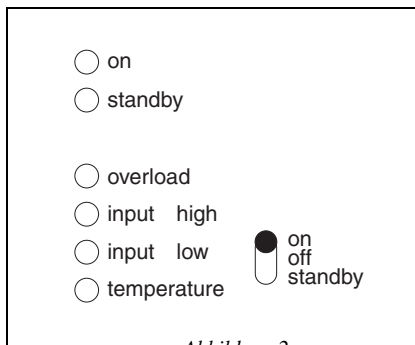


## 4. INBETRIEBNAHME

---

### 4.1 BEDIENUNG

An der Vorderseite des Atlas Wechselrichters befinden sich die Schalter und Kontrollanzeigen (LED) des Wechselrichters (siehe Abbildung 2).



### 4.2 EINSCHALTEN DES WECHSELRICHTERS

Der Wechselrichter kann mit dem Schalter ein- und ausgeschaltet werden. Die "on"-Anzeige leuchtet auf, wenn eine Ausgangsspannung vorhanden ist.

#### 4.2.1 "Standby"

Wird der Schalter auf "standby" gestellt (unterster Stand des Schalters) und ist keine Belastung vorhanden, leuchtet die gelbe "standby"-Anzeige auf und wird der "AES" eingeschaltet. Der Wechselrichter schaltet sich ein, sobald die Belastung am Ausgang die kritische Grenze von ca. 10,5 Watt überschreitet (Belastung von 5k2 bei einer Ausgangsspannung von 230 Volt).

Die gelbe "standby"-Anzeige erlischt und die "on"-Anzeige leuchtet auf. Wenn die Belastung ausgeschaltet wird, schaltet sich der Wechselrichter automatisch zurück auf "standby". Die "standby"-Anzeige leuchtet wieder auf.

### 4.3 ZU HOHE TEMPERATUR

Die "temperature"-Anzeige brennt, wenn ein Kurzschluß am Ausgang vorliegt, wenn die Umgebungstemperatur zu hoch ist, bei lang andauernder Überlastung oder wenn die FET und/oder der Ringkerntrafo zu warm werden.  
Siehe auch Abschnitt 2.3.

## 4.4 ÜBERLASTUNG

Die "overload"-Anzeige blinkt, wenn der Wechselrichter überlastet wird. Der Wechselrichter schaltet sich dadurch automatisch aus und schaltet sich erst dann wieder ein, sobald die Belastung gesenkt und die Elektronik abgekühlt ist. Siehe auch Abschnitt 2.4.

## 4.5 HOHE ODER NIEDRIGE BATTERIESPANNUNG

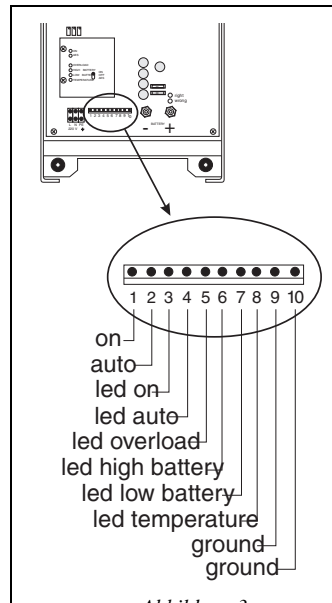
Wenn beim Einschalten des Atlas Wechselrichters die "input high"- oder "input low"-Anzeige aufleuchtet, besteht die Möglichkeit, daß die Batteriespannung nicht in Ordnung ist. Diese kann zu hoch oder zu niedrig sein. Der Wechselrichter schaltet sich aus und schaltet sich erst dann wieder ein, sobald die Eingangsspannung wieder in ausreichendem Maße gestiegen oder gesunken ist. Siehe auch Abschnitt 2.5 und 2.6. Überprüfen Sie diese Spannung mit einem Spannungsmesser.

## 4.6 FERNBEDIENUNG

An den Atlas Wechselrichter kann eine Fernbedienungstafel angeschlossen werden, mit der sich das Gerät ein- und ausschalten und die Anzeigen ablesen lassen. Bei ausgeschaltetem Schalter ist der Wechselrichter eingeschaltet (siehe auch die Positionierung der Anschlüsse: Abbildung 3).

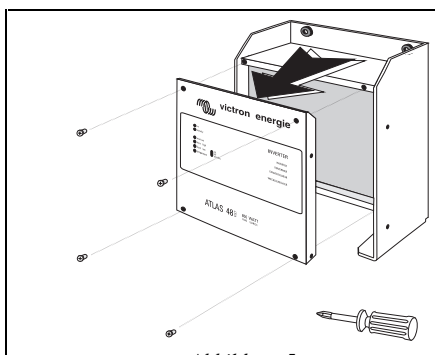
## 4.7 INSTANDHALTUNG

Der Atlas Wechselrichter erfordert keine besondere Wartung. Eine regelmäßige Kontrolle (einmal pro Jahr) der Elektroverbindungen ist zu empfehlen. Halten Sie den Atlas Wechselrichter möglichst trocken und sauber.



## 5. FEINEINSTELLUNG

Öffnen Sie das Gehäuse, indem Sie die vier äußeren Schrauben an der Vorderseite lösen (siehe Abbildung 5). Der Einstellpunkt befindet sich auf der Wechselrichter Leiterplatte (siehe Abbildung 6).

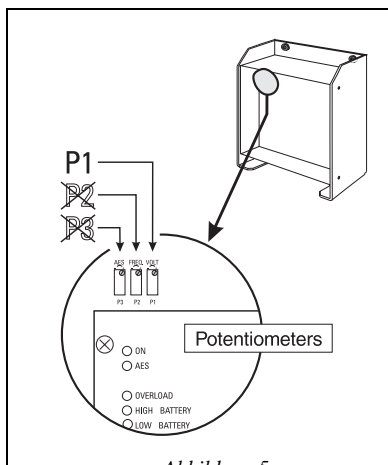


### 5.1 AUSGANGSSPANNUNG

Die Ausgangsspannung ist serienmäßig auf 230 Volt<sub>rms</sub> bei Dauerbelastung eingestellt. Die unbelastete Ausgangsspannung beträgt ca. 235 Volt<sub>rms</sub>. Indem Sie Potentiometer P1 nach links ("+") oder rechts ("-") drehen, ändert sich die Ausgangsspannung. In Abbildung 6 sehen Sie die Position des Potentiometers.

Eine genaue Messung der Ausgangsspannung ist nur mit Hilfe eines "wahren RMS-Messers" oder eines Weicheisen-messers (Effektivwertmesser) möglich.

P2 und P3 wurden werkseitig eingestellt und dürfen vom Abnehmer unter keinen Umständen verstellt werden!



## 5.2 POTENTIOMETER

Potentiometer sind regelbare Widerstände, deren Wert sich durch Drehen der Potentiometerschraube vergrößern oder verkleinern läßt.

Diese Werte können sich z.B. auf die Spannung, Frequenz oder Einschaltempfindlichkeit beziehen. Die Potentiometerschraube läßt sich mit Hilfe eines Schraubendrehers (Nr. 0) drehen und ist mit Korrekturflüssigkeit oder Nagellack zu fixieren (siehe auch Abbildung 7).

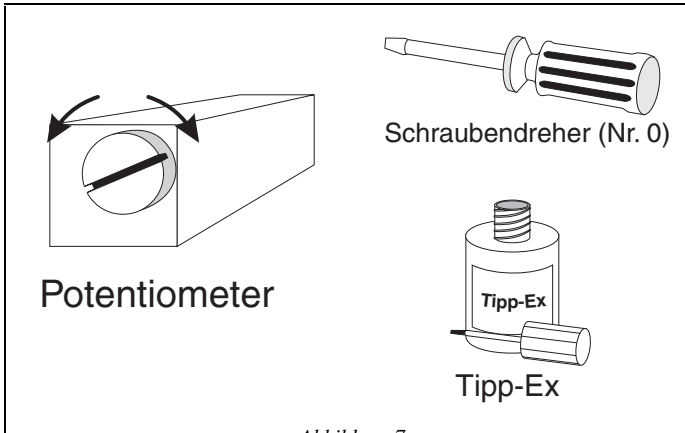


Abbildung 7.

# 6. FEHLERSUCHTABELLE

---

## 6.1 ALLGEMEINES

Die folgenden Tabellen sollen Ihnen bei der Behebung der gängigsten Störungen behilflich sein.

- Bevor Sie die Kontrollen an den Atlas Wechselrichtern durchführen:
  - müssen die angeschlossenen 12-, 24- oder 48-Volt-Stromverbraucher von den Batterien abgekoppelt werden.
  - Einige Geräte, wie bestimmte Fernseher, Videorecorder, Audiogeräte, Meßinstrumente und Navigationsgeräte funktionieren nur mit einer sinus-förmigen Spannung störungsfrei. Hierfür empfehlen wir Ihnen unsere Reihe Phoenix Sinuswechselrichter mit einer Leistung zwischen 350 und 1500 Watt.

## 6.2 DER WECHSELRICHTER FUNKTIONIERT NICHT.

- Schritt 1** Stellen Sie den Schalter "inverter" auf "on", kontrollieren Sie, ob die grüne "on"-Anzeige aufleuchtet. Weiter bei Schritt 2.
- Schritt 2** Wenn die grüne "on"-Anzeige NICHT aufleuchtet und der Atlas Wechselrichter "brummt" nur und/oder die "overload" -Anzeige leuchtet nach einigen Sekunden auf, weiter bei Schritt 3. Geschieht das nicht, weiter bei Schritt 4.
- Schritt 3** Entfernen Sie alle Stromverbraucher vom WS-Ausgang und überprüfen Sie, ob die "on"-Anzeige nun aufleuchtet, wenn der Wechselrichter eingeschaltet wird. Ist das nicht der Fall, weiter bei 9.
- Schritt 4** Kontrollieren Sie, wenn die grüne "on"-Anzeige WOHL aufleuchtet, die Eingangsspannung der Batterie(n) an den Klemmen des Atlas Wechselrichters. Diese muß zwischen folgenden beiden Werten liegen:

	min. Eingangsspannung	max. eingangsspannung
<b>Atlas 12/1600</b>	11 V	16 V
<b>Atlas 24/850</b>	21 V	32 V
<b>Atlas 24/1600</b>	21 V	32 V
<b>Atlas 48/850</b>	40 V	66 V
<b>Atlas 48/1600</b>	40 V	66 V



Fällt die Eingangsspannung nicht zwischen den minimalen und maximalen Wert, siehe Schritt 5. Ist dies wohl der Fall, siehe Schritt 7.

- Schritt 5** Kontrollieren Sie die 12-, 24- oder 48-Volt-Anschlußkabel auf guten Anschluß und ausreichenden Aderdurchmesser. Sind die Anschlußkabel nicht gut verbunden oder entsprechen die Aderdurchmesser nicht den Angaben, ist diese Störung zuerst zu beheben. Ist der Fehler danach noch nicht behoben, siehe Schritt 6.
- Schritt 6** Die Batterien müssen aufgeladen werden. Funktioniert der Wechselrichter nicht, obwohl die Batterien ausreichend (auf)geladen sind, siehe Schritt 7.
- Schritt 7** Kontrollieren Sie, ob plus ("+") und minus ("-") der Batterie(n) und des Atlas Wechselrichters übereinstimmen. Weiter bei Schritt 8.
- Schritt 8** Wenn plus ("+") und minus ("-") der Batterie(n) und des Wechselrichters nicht übereinstimmen, ist folgendes zu tun:
- Schalten Sie den Atlas Wechselrichter aus.
  - Verbinden Sie die richtigen Pole der Batterie(n) mit dem Wechselrichter.
  - Kontrollieren und tauschen Sie, falls erforderlich, die Eingangssicherung(en) aus.
- Die Störung ist behoben, wenn der Wechselrichter jetzt wieder funktioniert. Ist das nicht der Fall, siehe Schritt 9.
- Schritt 9** Wenden Sie sich an Ihren Victron Händler, um den Wechselrichter reparieren zu lassen.

### **6.3 DIE WS-AUSGANGSSPANNUNG IST ZU NIEDRIG.**

Mit Hilfe eines RMS-Voltmessers wurde festgestellt, daß die WS-Ausgangsspannung zu niedrig ist (siehe auch Abschnitt 5.1).

- Drehen Sie Potentiometer P1 (siehe 5, "Feineinstellung") rechtsherum und kontrollieren Sie, ob die Spannung wieder ihren normalen Wert annimmt.
- Ist das nicht der Fall, wenden Sie sich an Ihren Victron Händler, um den Wechselrichter reparieren zu lassen.

# 7. TECHNISCHE ANGABEN

---

## 7.1 EINGANG

Nennleistung Eingangsspannung:

Atlas 12/1600	:	12 Volt <sub>GS</sub>
Atlas 24/850	:	24 Volt <sub>GS</sub>
Atlas 24/1600	:	24 Volt <sub>GS</sub>
Atlas 48/850	:	48 Volt <sub>GS</sub>
Atlas 48/1600	:	48 Volt <sub>GS</sub>

Eingangsspannungsbereich:

Atlas 12/1600	:	10,2-17,25 Volt <sub>GS</sub>
Atlas 24/850	:	19 - 33,5 Volt <sub>GS</sub>
Atlas 24/1600	:	19 - 33,5 Volt <sub>GS</sub>
Atlas 48/850	:	37 - 37,5 Volt <sub>GS</sub>
Atlas 48/1600	:	37 - 37,5 Volt <sub>GS</sub>

Einschaltspannung niedrig:

Atlas 12/1600	:	11 Volt <sub>GS</sub>
Atlas 24/850	:	21 Volt <sub>GS</sub>
Atlas 24/1600	:	21 Volt <sub>GS</sub>
Atlas 48/850	:	40 Volt <sub>GS</sub>
Atlas 48/1600	:	40 Volt <sub>GS</sub>

Einschaltspannung hoch:

Atlas 12/1600	:	16,25 Volt <sub>GS</sub>
Atlas 24/850	:	32 Volt <sub>GS</sub>
Atlas 24/1600	:	32 Volt <sub>GS</sub>
Atlas 48/850	:	66 Volt <sub>GS</sub>
Atlas 48/1600	:	66 Volt <sub>GS</sub>

Abschaltspannung niedrig:

Atlas 12/1600	:	10,2 Volt <sub>GS</sub>
Atlas 24/850	:	19 Volt <sub>GS</sub>
Atlas 24/1600	:	19 Volt <sub>GS</sub>
Atlas 48/850	:	37 Volt <sub>GS</sub>
Atlas 48/1600	:	37 Volt <sub>GS</sub>

Abschaltspannung hoch:

Atlas 12/1600	:	17,25 Volt <sub>GS</sub>
Atlas 24/850	:	33,5 Volt <sub>GS</sub>
Atlas 24/1600	:	33,5 Volt <sub>GS</sub>
Atlas 48/850	:	67,5 Volt <sub>GS</sub>
Atlas 48/1600	:	67,5 Volt <sub>GS</sub>

Spannungswelligkeit : maximal 5% RMS

Nennleistung Eingangsstrom:	
Atlas 12/1600	: 160 Ampere
Atlas 24/850	: 42 Ampere
Atlas 24/1600	: 78 Ampere
Atlas 48/850	: 21 Ampere
Atlas 48/1600	: 39 Ampere

Maximaler Eingangsstrom:	
Atlas 12/1600	: 300 Ampere
Atlas 24/850	: 80 Ampere
Atlas 24/1600	: 160 Ampere
Atlas 48/850	: 40 Ampere
Atlas 48/1600	: 80 Ampere

Nulllast in "on"-Stellung : 10 Watt

Nulllast in "auto"-Stellung:	
Atlas 12/1600	: 5 Watt
Atlas 24/850	: 2,5 Watt
Atlas 24/1600	: 3,5 Watt
Atlas 48/850	: 4,5 Watt
Atlas 48/1600	: 4,5 Watt

Eingangssicherungen:	
Atlas 12/1600	: 5 x 40 A (carfuse)
Atlas 24/850	: 3 x 30 A (carfuse)
Atlas 24/1600	: 5 x 30 A (carfuse)
Atlas 48/850	: 2 x 30 A (carfuse)
Atlas 48/1600	: 3 x 30 A (carfuse)

## 7.2 AUSGANG

Ausgangsspannung	: 230 Voltws $\pm$ 5%
Frequenz	: 50 Hertz; $\pm$ 1 Hertz
Ausgangsspannungsform	: Trapezförmig (modifizierte Sinusform)
Leistungsfaktor	: 0,9 kapazitiv bis 0,4 induktiv

Nennleistung:	
Atlas 12/1600	: 1600 Watt
Atlas 24/850	: 850 Watt
Atlas 24/1600	: 1600 Watt
Atlas 48/850	: 850 Watt
Atlas 48/1600	: 1600 Watt

(Leistungsfaktor = 1,0) -10°C/+35°C. Bei hoher Umgebungstemperatur wird die Leistung automatisch gesenkt.



Vorübergehende max. Leistung:	
Atlas 12/1600	: 2500 Watt für ca. 1 Sekunde
Atlas 24/850	: 1500 Watt für ca. 1 Sekunde
Atlas 24/1600	: 3000 Watt für ca. 1 Sekunde
Atlas 48/850 1500	: Watt für ca. 1 Sekunde
Atlas 48/1600	: 3000 Watt für ca. 1 Sekunde
Atlas 12/1600	: 1800 Watt für ca. 1 Stunde
Atlas 24/850	: 900 Watt für ca. 1 Stunde
Atlas 24/1600	: 1800 Watt für ca. 1 Stunde
Atlas 48/850	: 900 Watt für ca. 1 Stunde
Atlas 48/1600	: 1800 Watt für ca. 1 Stunde (Leistungsfaktor = 1,0)
Einschaltverhalten	: Der Wechselrichter kann sich unter jeder Belastung einschalten. Der Nennwert der Ausgangsspannung wird in 50 Millisekunden erreicht.
Wirkungsgrad	: 92% bei Nennleistung von 25 bis 100%
Dynamische Stabilität	: Maximal 10% kurze Abweichung beim Ein- oder Ausschalten von 50% Nennbelastung. Erholzeit: ½ Periode.
Überlastungssicherung	: Die Leistungsabgabe wird elektronisch auf 155% der Dauerleistung bei Nennleistung der Eingangsspannung begrenzt.
Kurzschlußsicherung	: Der Ausgang ist kurzschlußsicher. Der Kurzschlußstrom beträgt max.:
Atlas 12/1600	: 13 Ampere
Atlas 24/850	: 6,5 Ampere
Atlas 24/1600	: 13 Ampere
Atlas 48/850	: 6,5 Ampere
Atlas 48/1600	: 13 Ampere
Sicherung gegen zu hohe Umgebungstemperaturen	: Die Temperatur kritischer Teile wird mit Fühlern gemessen. Die Fühler schalten den Wechselrichter ab, sobald eine Temperatur von 80°C auf den FET und/oder eine Temperatur von 110°C auf dem Transformator überschritten wird. Nach Abkühlung schaltet sich der Wechselrichter automatisch wieder ein.
Sicherung gegen zu hohe Eingangsspannung	: Der Wechselrichter schaltet automatisch aus über:
Atlas 12/1600	: 17,25 Volt <sub>GS</sub>
Atlas 24/850	: 33,5 Volt <sub>GS</sub>
Atlas 24/1600	: 33,5 Volt <sub>GS</sub>

Atlas 48/850	:	67,5 Volt <sub>GS</sub>
Atlas 48/1600	:	67,5 Volt <sub>GS</sub>
Sicherung gegen zu niedrige Eingangsspannung	:	Der Wechselrichter schaltet automatisch aus unter:
Atlas 12/1600	:	10,2 Volt <sub>GS</sub>
Atlas 24/850	:	19 Volt <sub>GS</sub>
Atlas 24/1600	:	19 Volt <sub>GS</sub>
Atlas 48/850	:	37 Volt <sub>GS</sub>
Atlas 48/1600	:	37 Volt <sub>GS</sub>
Isolationsspannung von Ausgang zu Erde	:	Kein Durchschlag bei 2,5 Kilovolt <sub>WS</sub>
Isolationswiderstand:		
Ein- und Ausgang zu Erde	:	500 M Ohm mit 500 Volt <sub>GS</sub>
Ein- und Ausgang untereinander	:	500 M Ohm mit 500 Volt <sub>GS</sub>
Sicherheitsklasse	:	IEC 255-4-5
EMV: Elektromagnetische Verträglichkeit gemäß Ratsrichtlinie 89/336 EEC		
Emission	:	EN 55014 (1993) EN 60555-2 (1986)
Immunität	:	EN 50082-1 (1991)

### 7.3 MECHANISCH

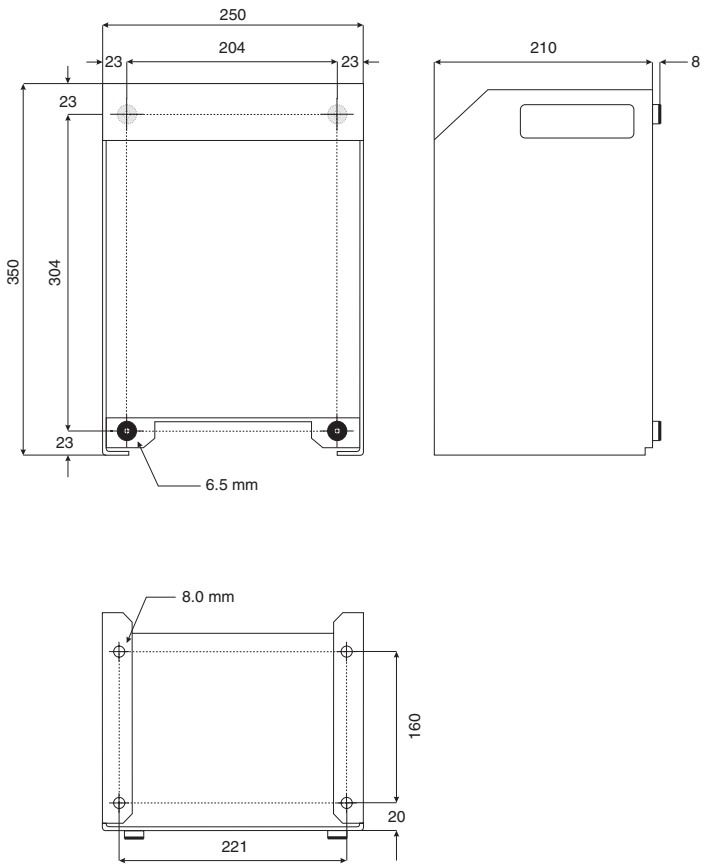
Gehäuse	:	Aluminium, salzwasserbeständig
Schutzart	:	IP 21
Farbe	:	Blau (RAL 5012), Epoxid
Maße (H x B x T)	:	350 x 250 x 210 mm
Gewicht:		
Atlas 12/1600	:	16 kg
Atlas 24/850	:	12 kg
Atlas 24/1600	:	16 kg
Atlas 48/850	:	12 kg
Atlas 48/1600	:	16 kg
Anschlüsse:		
Ausgang 220 Volt <sub>WS</sub>	:	Anschlußblock auf Leiterplatte
Eingang 12/24 Volt <sub>GS</sub>	:	M8-Bolzen auf Leiterplatte
Fernbedienung	:	Anschlußblock auf Leiterplatte
Kühlung	:	Kühlprofil aus Aluminium
Geräuschpegel	:	40 dB(A)
Relative Luftfeuchtigkeit	:	Maximal 95%

## 8. ZEICHNUNGEN

---

Victron Atlas Abmessungen	92
Komplettes Victron Energie System	93



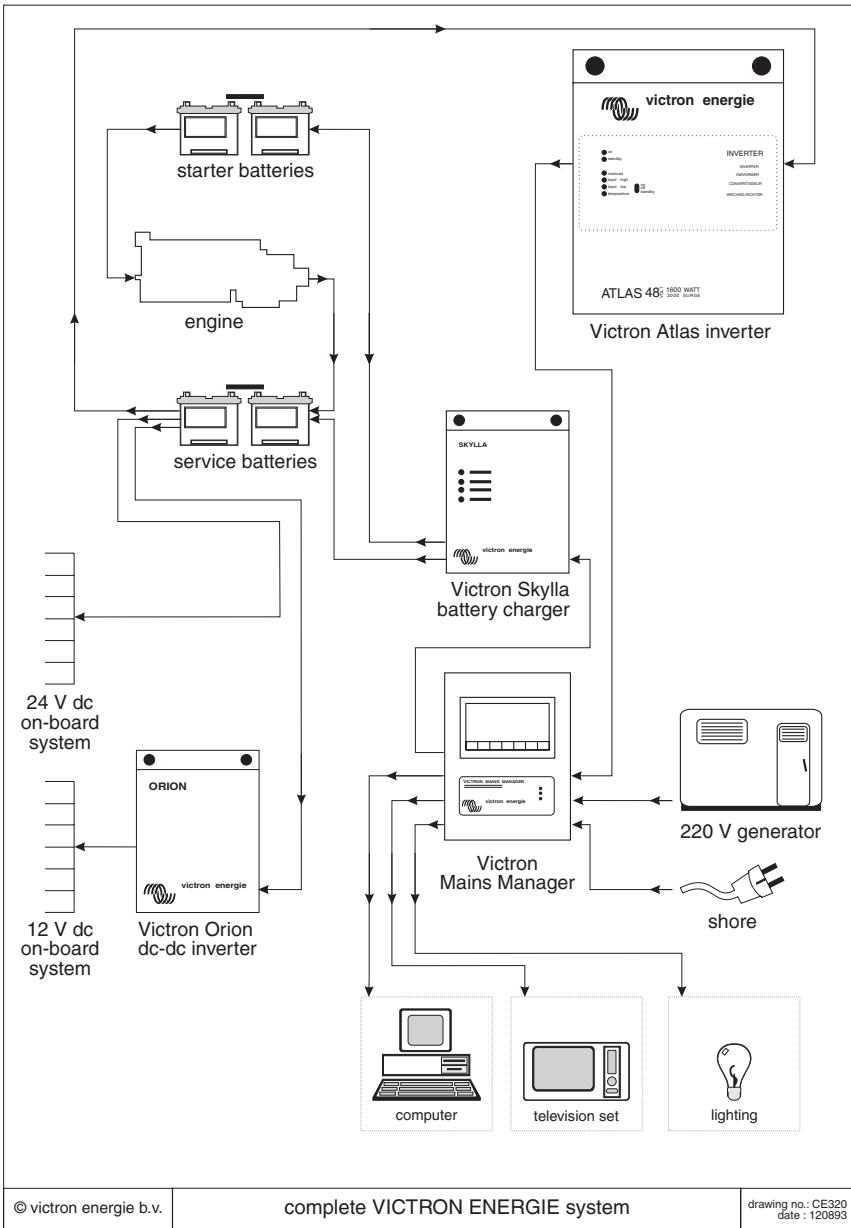


© victron energie b.v.

Victron Atlas 12/1600, 24/850, 24/1600, 48/850 & 48/850 dimensions

drawing no.: CE312

date : 120893



© victron energie b.v.

complete VICTRON ENERGIE system

drawing no.: CE320  
date: 120893



victron energie

Gebrauchsanweisung



93

